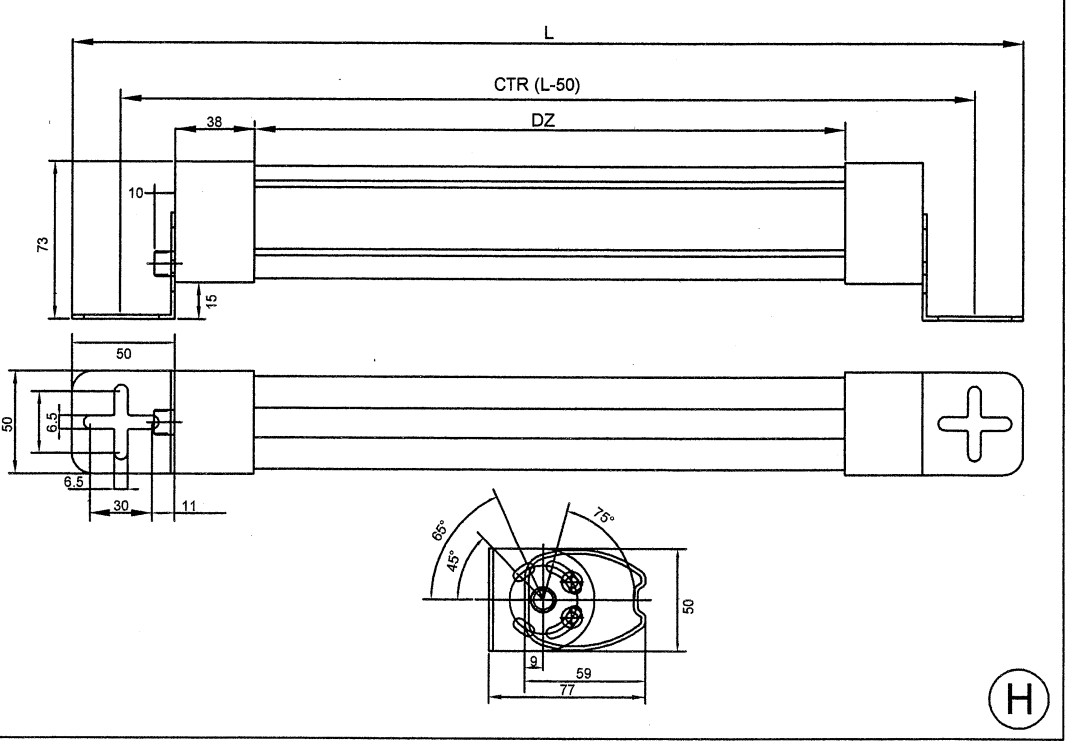
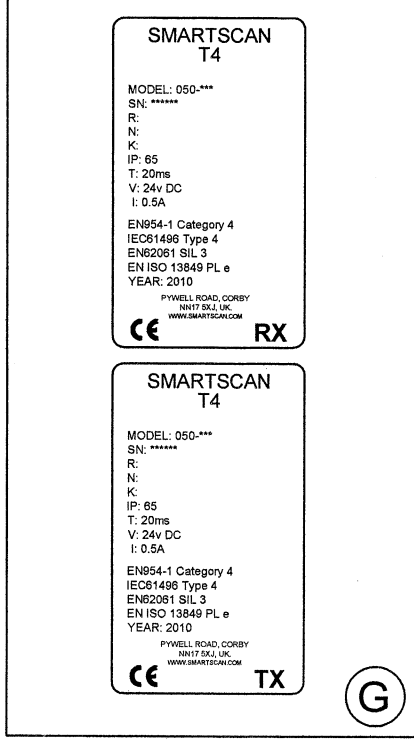
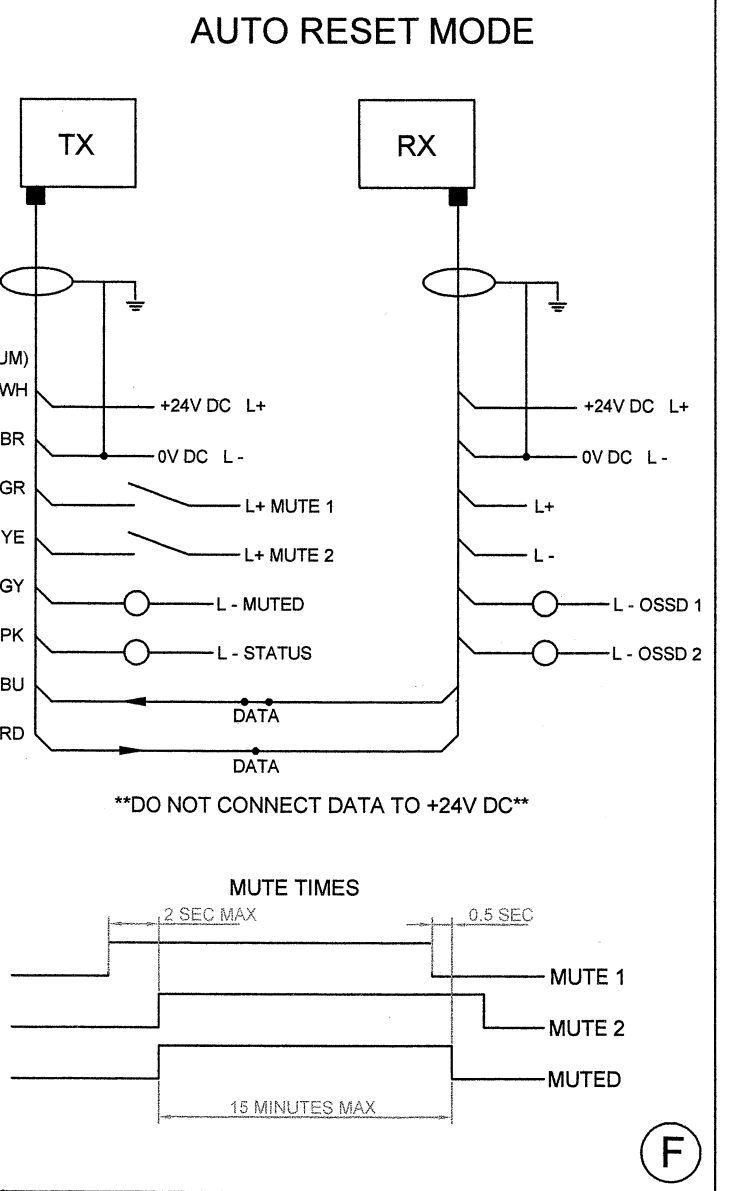
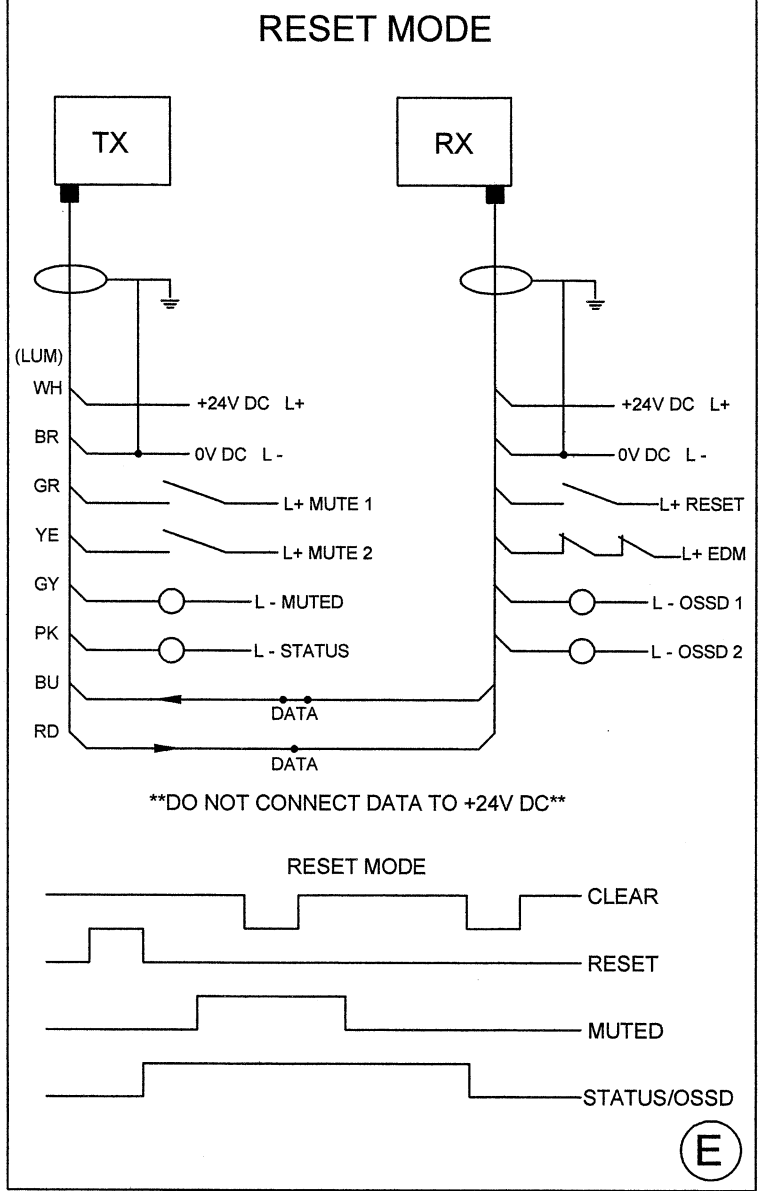
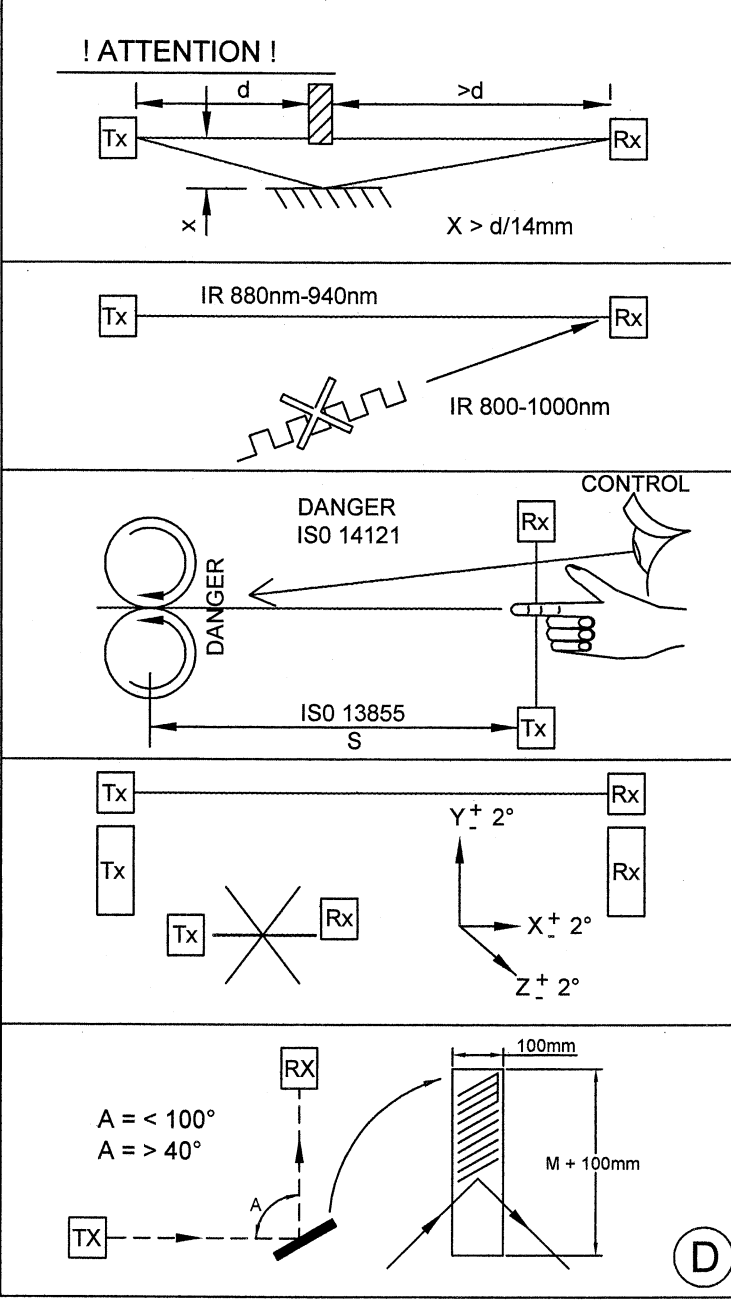
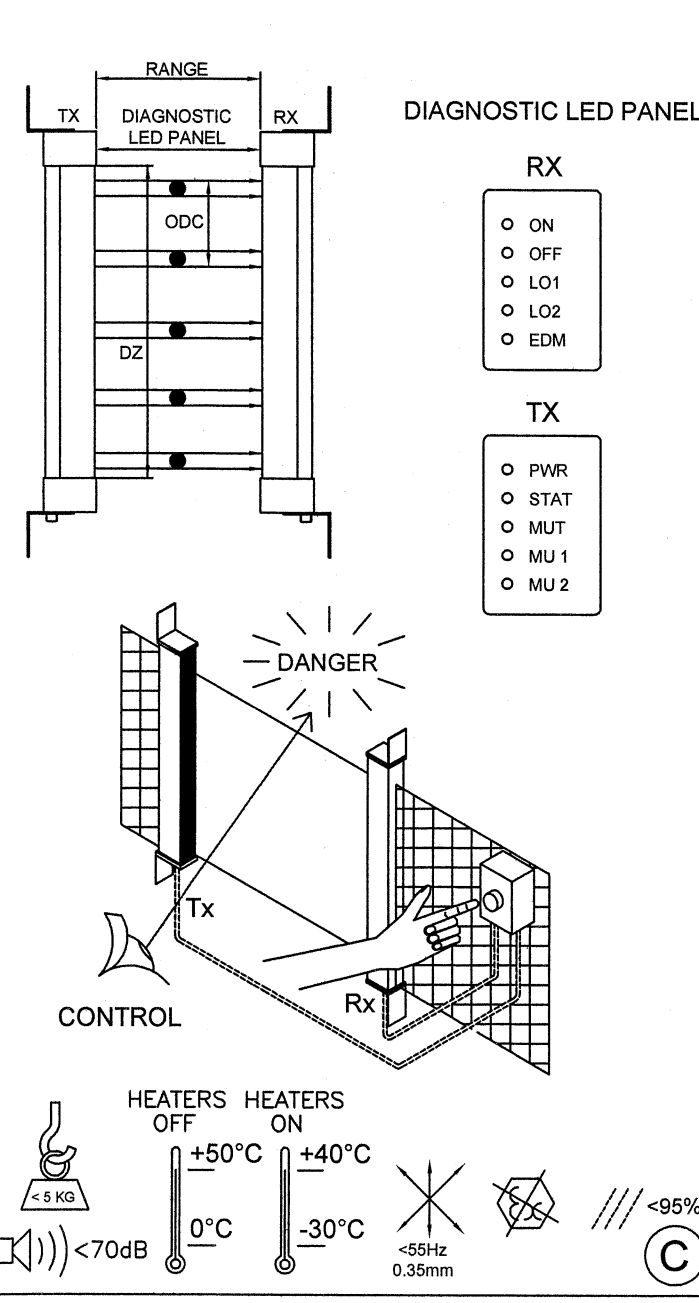
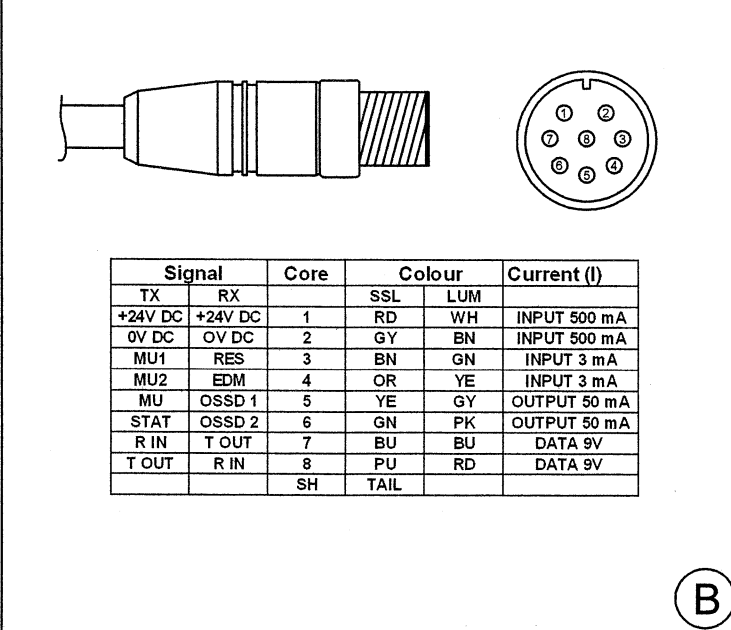
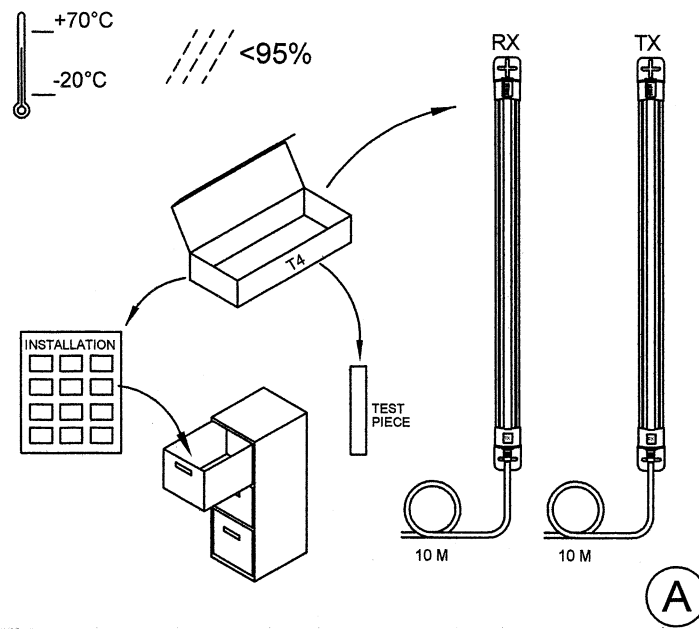


# INSTALLATION & DECLARATION OF CONFORMITY

## T4 SAFETY LIGHT CURTAIN

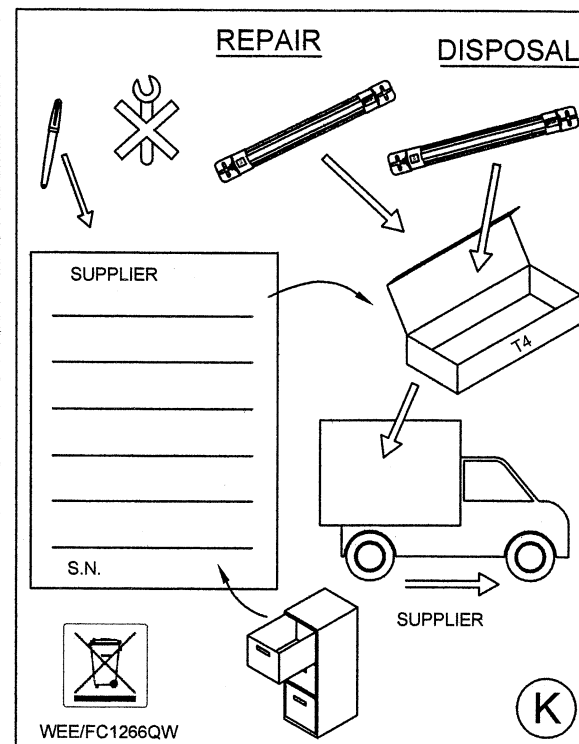
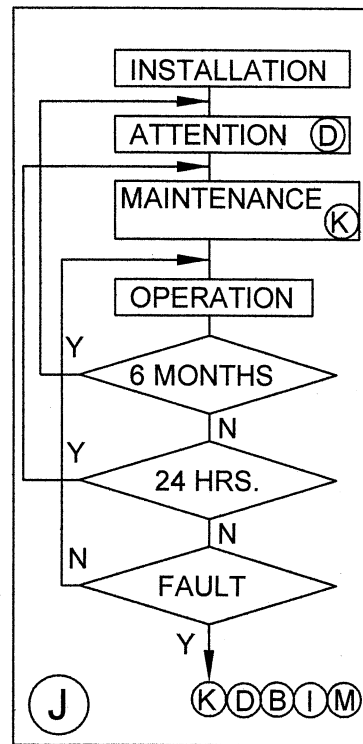
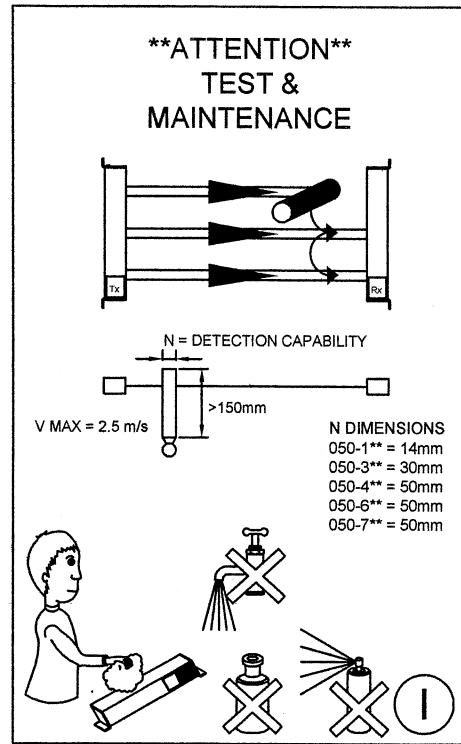
CD232/200110



# INSTALLATION & DECLARATION OF CONFORMITY

T4 SAFETY LIGHT CURTAIN

CD232/200110



## T4 SERIES MODEL LIST

Model	Range
14mm ODC	0.3 - 4.0m
30mm ODC	0.6 - 6.0m
40mm ODC	3.0 - 15m
Perimeter	2.0 - 20m

Model 30 ODC	Model 40 ODC	Beams	L	DZ
050-301	050-401	6	317	141
050-302	050-402	12	467	291
050-303	050-403	18	617	441
050-304	050-404	24	767	591
050-305	050-405	30	917	741
050-306	050-406	36	1067	891
050-307	050-407	42	1217	1041
050-308	050-408	48	1367	1191
050-309	050-409	54	1517	1341
050-310	050-410	60	1667	1491
050-311	050-411	66	1817	1641
050-312	050-412	72	1967	1791
050-313	050-413	78	2117	1941
050-314	050-414	84	2267	2091
050-315	050-415	90	2417	2241
050-316	050-416	96	2567	2391

Model 14 ODC	Beams	L	DZ
050-101	16	317	141
050-102	32	467	291
050-103	48	617	441
050-104	64	767	591
050-105	80	917	741
050-106	96	1067	891
050-107	112	1217	1041
050-108	128	1367	1191

Perimeter Guards			
ANSI Model	Beams	L	DZ
050-702	2	780	600
EU Model			
050-602	2	680	500
EU/ANSI Model			
050-603	3	980	400
050-604	4	1080	300

051-005	Interconnect Cable - 5M
051-010	Interconnect Cable - 10M
051-020	Interconnect Cable - 20M

**SMARTSCAN**      **CD232M/251109**

### EC Declaration of Conformity

**Product:** Smartscan T4 Light Curtain

**Manufacturer:** Smartscan Limited, Pywell Road, Willowbrook Industrial Estate, Corby, Northamptonshire, NN17 5XJ, ENGLAND

Declares that the safety component(s) described serial numbers between 800 000 - 899 999 and T4 0001 - T4 9999, fulfils the following safety function: Electro-sensitive protective equipment - Active Opto-electronic Protective Device (safety light curtain).

**Conforms to the following Directives:**

Machinery Directive	2006/42/EC
Electromagnetic Conformity Directive	2004/108/EC
Low Voltage Directive	2006/95/EC

**Complies with the relevant requirements of the following Standards:**

EN 61496-1, IEC 61496-2	Type 4
EN 954-1,	Category 4
IEC 62061	SIL 3
EN ISO 13849-1	PL e

**Uses the following standards:**  
ISO 12100-1, ISO 12100-2, EN 60204-1

Complies with the examples to which the EC type examination certificate below relates, and is in conformity with the protection requirements of Council Directive 2004/108/EC, as amended, on the approximation of the laws of the Member States relating to electromagnetic compatibility.

The component is of a type listed in Annex IV of the Machinery Directive. Examples have been submitted for type examination by the approved body identified below.

Safenet Limited      Notified Body Number 1674

Address      Pywell Road, Corby, Northamptonshire, NN17 5XJ, England.

Certificate No.      511010609

Signed: *[Signature]*      Date: 01.07.2009

Title: Project Manager

ENGLISH	FRANCAIS	DEUTSCHE	ITALIANO	ESPAGNOL	SVENSKA	DANSK	DUTCH
ACTIVATE	ACTIVER	AKTIVIEREN	ATTIVAZIONE	ACTIVAR	ACTIVERING	AKTIVERE	ACTIVEREN
ATTENTION	ATTENTION	ACHTUNG	ATTENZIONE	ATENCIÓN	OBSERVERA	ATTENTION	ATTENTIE
AUTHORISED PERSON	AUTORISÉE PERSONNE	AUTORISIERTE PERSON	PERSOINALE AUTORIZZATA	PERSONA AUTORIZADA	BEHOORIG PERSOON	PERSON MED AUTORITET	BEVOEGDE PERSOON
BEAM	FAISCEAUX	GITTER	RAGGI	HACES	STRALAR	STRÅLE	STRALEN
BLACK	NOIR	SCHWARTZ	NERO	NEGRO	SVART	SVART	ZWART
BLOCK	BLOQUER	UNTERBRECHEN	BLOCCATO	BLOQUE	BLOCKERA	BLOK	ONDERBROKEN
BROWN	MARRON	BLAU	MARRONE	AZUL	BLA	BLÅ	BLAUW
CABLE	BLEU	BRAUN	CAVO	MARRON	BRUN	BRUN	BRUIN
CLEAR	MARRON	KABEL	LIBERO	CLARO	KABEL	KABEL	KABEL
CLOSE	SECURITE	FREI	CHIUSO	CERCA	KLAR	KLAR	VRIJVEILIG
CONTROL	FERME	SCHLIESSEN	LIBERO	CERCA	NARA	LUKKE	SLUITEN
CONTROL	CONTRÔLE	AUSWERTEGRAET	CONTROLLO	CONTROLAR	KONTROLL	KONTROL	BESTURING
CONTROL	CONTRÔLE	GEFAHR	PERICOLO	PELIGRO	FARE	FARE	GEVAAR
DETECTION CAPABILITY	CAPACITE DE DETECTION	AUFLOESUNG	RISOLUZIONE	CAPACIDAD DE DETECCION	UPLOESNING	OPLOSNING	DETECTIEVERMOGEN
ENABLE	DISPOSITION	ENTFERNEN	SMALTIMENTO	DISPOSICION	SLANGAS	RADIGHED	VERMUDEREN
ENABLE	ACTIVATION	MUTE BEDINGUNG	ABILITAZIONE	ARRIETO D'EMERGENZA	MOLLIGGOR	MULLIG	ACTIVEREN
E-STOP	ARRET D'URGENCE	NOTSTOP	ARRESTO D'EMERGENZA	PARO DE EMERGENCIA	NODSTOPP	E-STOP	NOODSTOP
FAULT	FEHLER	FEHLER	GUASTO	INCIDENTE	FEL	FEJLI	FOUT
FEATURE	DISPOSITIF	EIGENSCHAFT	CARATTERISTICA	CARACTERISTICA	EGENSKAPER	MULLIGHEDER	EIGENSCHAP
GREEN	VERT	GRUN	VERDE	VERDE	GRON	GRON	GRON
GREY	GRIS	ANZEIGE	INDICATORE	INDICADOR	GRA	GRA	GRUS
INDICATOR	INDICATEUR	ANZEIGE	INDICATORE	INDICADOR	INDIKERING	INDIKATION	INDICATOR
INPUT	ENTREE	EINGANG	INGRESSO	ENTRADA	INGANG	INGANG	INGANG
INSTALLATION	INSTALLATION	INSTALLATION	INSTALLAZIONE	INSTALACION	INSTALLATION	INSTALLATION	INSTALLATIE
LIGHT CURTAIN	BARRIERE	LICHTGITTER	BARRIERA OTTICA	CORTINA DE SEGURIDAD	LYSGITTER	LYSGITTER	LICHTSCHERM
MAINTENANCE	ENTRETIEN	WARTUNG	MANTENIMIENTO	MANTENIMIENTO	VEDLIGEHODE	VEDLIGEHODE	ONDERHOUD
MODE	MODE	BETRIEBSART	MODI	MODI	MODE	MODE	MODUS
MODEL	MODELE	TYP	MODELLO	MODELO	MODEL	MODEL	MODEL
MODULE	MODULE	MODUL	MODULO	MODULO	MODUL	MODUL	MODULE
MONTHS	MOIS	MONATE	MESE	MESES	MANED	MANED	MAANDEN
MUTE	OPPRESSION	MUTE	INIBIZIONE	MUTE	FORBIKOPPLING	MUTE	ONDERDRUKKEN
MUTE	OFF	AUS	NON ATTIVO	MUTE	FRAN	SLUKKE	UIT
OFF	OFF	ON	ATTIVO	NON ATTIVO	TILL	TAENDE	AAN
ON	ON	OFFEN	APERTO	ABIERTO	OPPEN	OPPEN	OPEN
OPERATION	OPERATION	IN BETRIEB	FUNZIONAMENTO	OPERACION	DRIFT	OPERATION	INBEDRIEF
ORANGE	ORANGE	ORANGE	ARANCIO	NARANJA	ORANGE	ORANGE	ORANIE
ORANGE	ENFONCER	UEBERBRUEKEN	INVALIDARE	OVERRIDE	ORANGE	ORANGE	ORANGE
OVERRIDE	OUTPUT	AUSGANG	USCITA	ROSA	UTGANG	UTGANG	OVERBRUGGING
PINK	ROUGE	ROSA	ROSA	ROSA	LYSEROD	ROOS	ROOS
RECEIVER	RECEPTEUR	EMPFANGER	RICEVITORE	RECEPTOR	MOTTAGER	MOTTAGER	ONTVANGER
RATING	ESTIMATION	KLASSE	CLASSIFICAZIONE	GRADO	KLASSIFICERING	KLASSIFICERING	STANDAARD
RELAY	RELAIS	RELAIS	RELE	RELE	RELA	RELA	RELAIS
RED	ROUGE	ROT	ROSSO	ROSSO	ROD	ROD	ROOD
REPAIR	REPARATION	REPARATUR	RIPARAZIONE	REPARAR	REPARATION	REPARARE	HERSTELLEN
RESTART	REDEMARRAGE	WIEDERANLAUFSPERRE	RIAVVIO	REINICIALIZER	ATERSTART	GENSTART	HERSTART
SAFETY	SECURITE	SICHERHEIT	SECUREZZA	SEGURIDAD	SAKERHET	SAKERHED	VELIGHED
SAFETY	TERRE	ERDFABEN	SCHERMO	MALLA	SKARM	SKARM	AARDING
SHIELD	STATUS	STATUS	STATO	ESTADO	STATUS	STATUS	STATUS
SHIELD	FOURNISSEUR	LIEFERANT	FORNITORE	PROVEEDOR	LEVERANTOR	LEVERANDOR	LEVERANCIER
SUPPLIER	ESSAI	PRUEFUNG	PROVA	TEST	PROV	TEST	TEST
TEST	EMETTEUR	SENDER	EMETTITORE	TRANSMISOR	SANDARE	SENDER	ZENDER
TRANSITTER	VIOLET	VIOLET	VIOLETA	VIOLETA	VIOLETT	VIOLETT	VIOLET
VIOLET	JAUNE	GELB	GIALLO	BIANCO	GUL	GUL	GEEL
WHITE	BLANC	WEISS	BIANCO	BLANCO	VIT	HVID	WIT
MONITORING	SURVEILLANT	UBERWACHUNG	SORVERGLIANZA	EL VIGILAR	OVERVAKANE	CHEK	BEWAKT
CROSS-BEAM	RAYONS DIAGONALE	KREUZ STRAHL	RAGGI INCROCIATI	CHECK	KRYSS-STRALAR	KRYSS STRALE	DIAGONALE - STRALEN

(L)

(M)

(N)