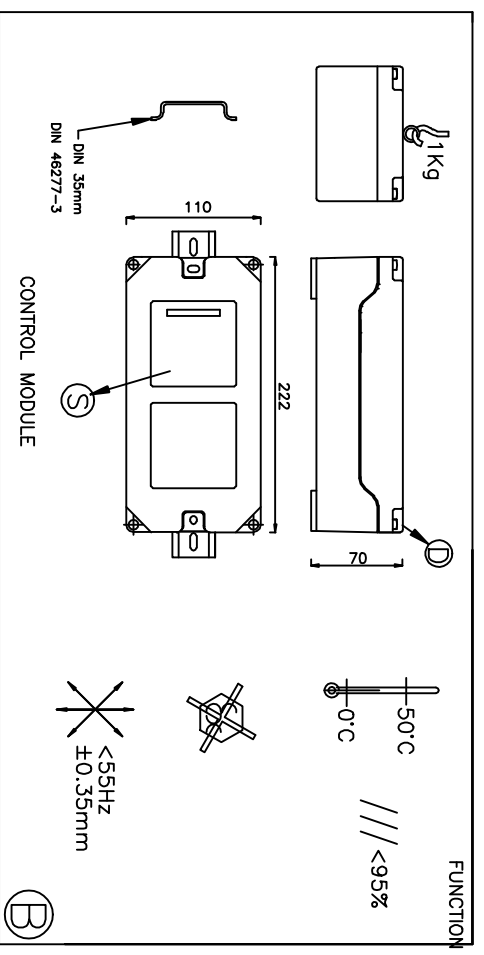
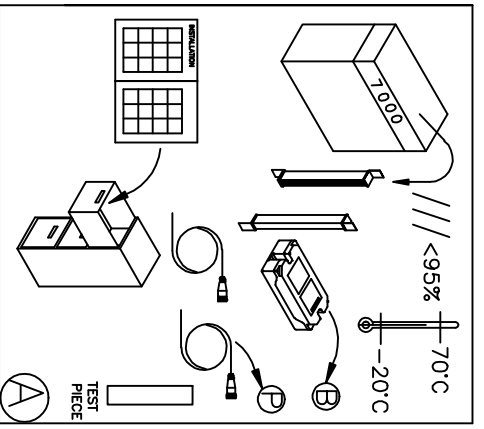
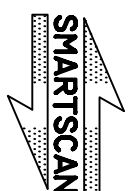


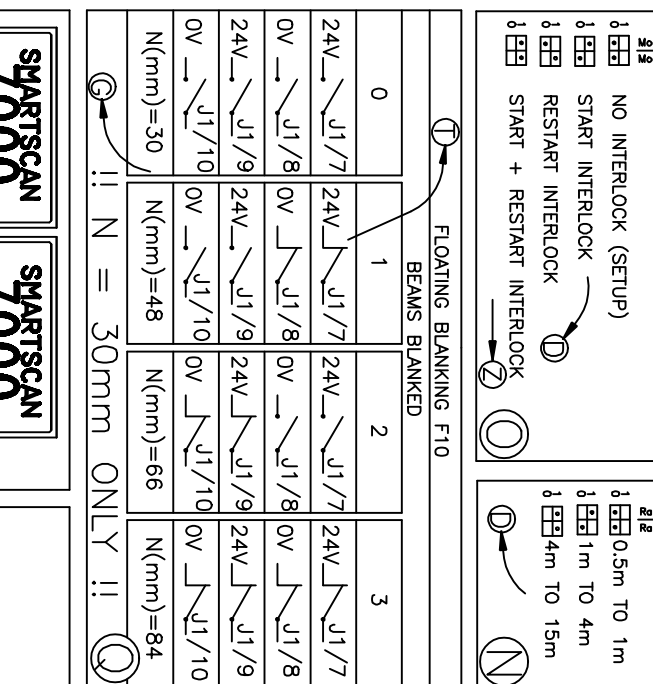
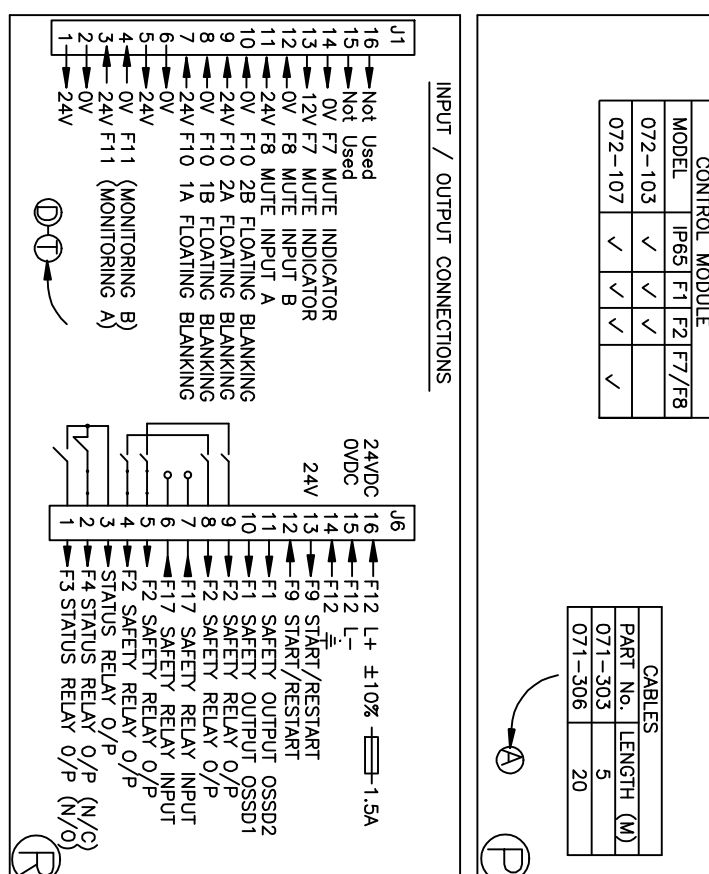
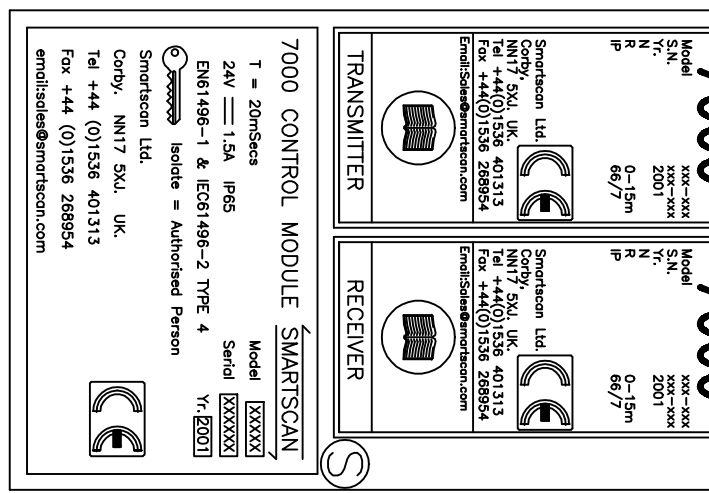
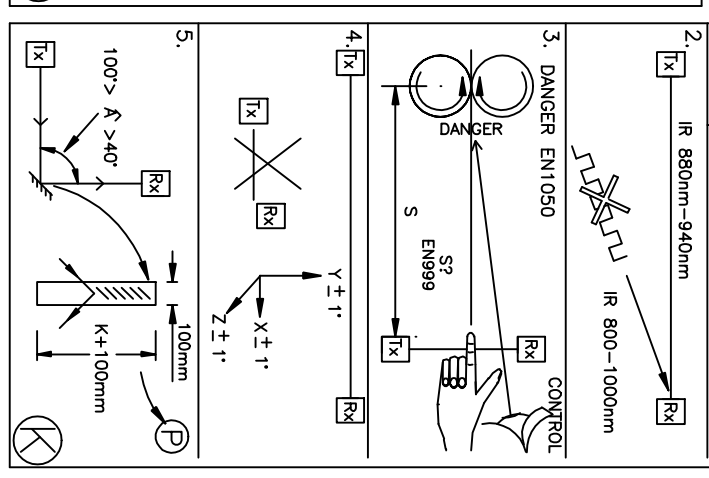
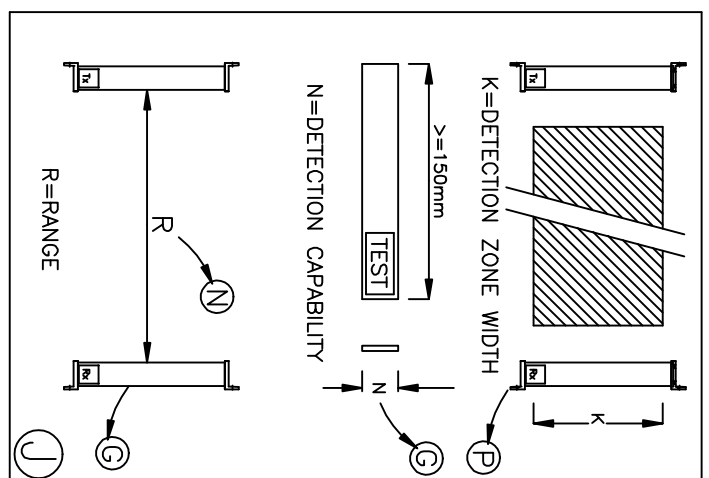
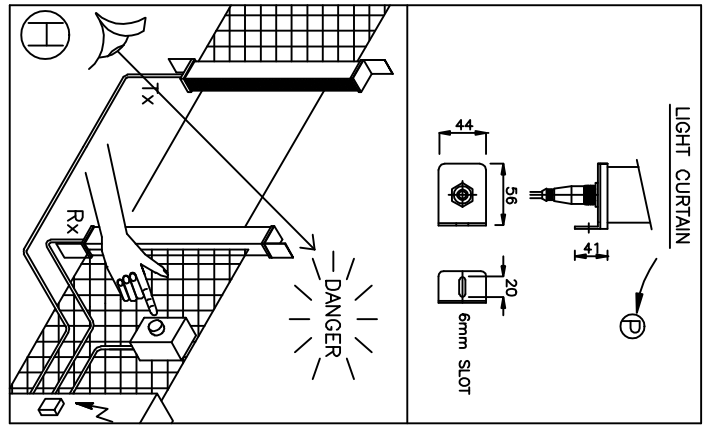
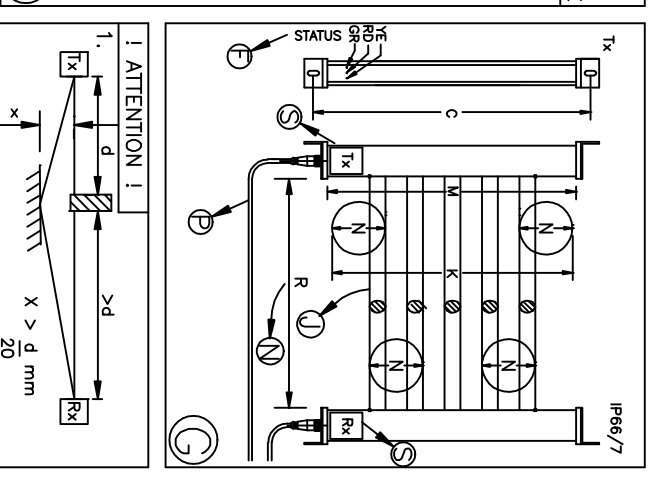
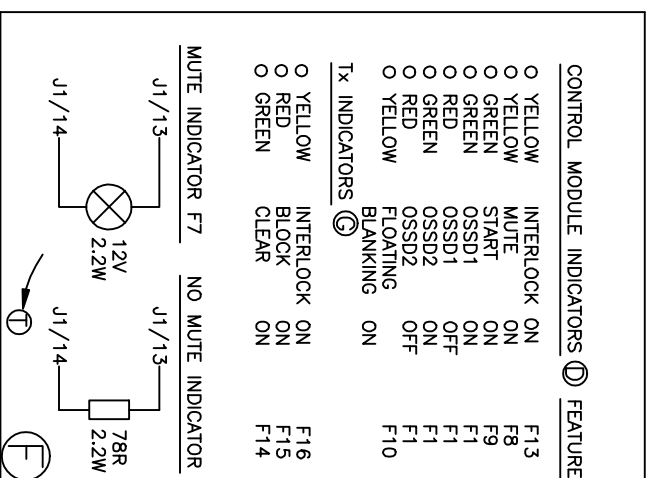
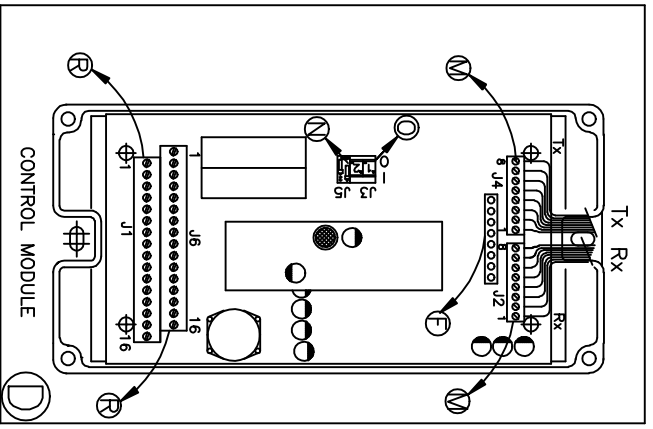
# INSTALLATION 7000 SAFETY LIGHT CURTAIN

CD072/120607



FEATURE	ON	OFF	RATING	SAFETY OUTPUT (OSSD)
F1	24V CLOSE	0V OPEN	1A 110V(T+10ms)	SAFETY RELAY OUTPUT
F2	24V OPEN	0V CLOSE	1A 24V	STATUS RELAY OUTPUT
F3	24V MODE	0V	1A	RELAY OUTPUT SWITCH
F4	24V RANGE	0V	2W	MUTE INDICATOR
F5	24V RANGE	0V	14mA	MUTE INPUT
F6	24V RANGE	0V	7mA	START/RESTART INPUT
F7	24V RANGE	0V	14mA	FLOATING BLANKING MONITORING
F8	24V RANGE	0V	1.5A	POWER SUPPLY
F9	24V RANGE	0V	14mA	INTERLOCK
F10	24V RANGE	0V	14mA	GUARD CLEAR
F11	24V RANGE	0V	14mA	INTERLOCK
F12	24V RANGE	0V	14mA	GUARD BLOCK
F13	24V RANGE	0V	14mA	INTERLOCK
F14	24V RANGE	0V	14mA	SAFETY RELAY INPUT
F15	24V RANGE	0V	14mA	
F16	24V RANGE	0V	14mA	
F17	24V RANGE	0V	14mA	

LIGHT CURTAIN CONNECTIONS TO CONTROL MODULE		(Rx) J2	(Tx) J4
1	RED	1 RED	1 RED
2	BLUE	2 GREEN	2 YELLOW
3	GREEN	3 WHITE	3 PINK
4	YELLOW	4 WHITE	4 BROWN
5	WHITE	5 PINK	5 BROWN
6	BROWN	6 BROWN	6 GREY
7	GREY	7 GREY	7 GREY
8	BRAID	8 BRAID	8 BRAID



MODEL	MODEL	BEAM PITCH	M (mm)	RANGE	Kg.
072-250	7060415S	2	500mm	0.5-15m	1.9
072-251	7080300S	3	450mm	0.5-15m	2.5
072-252	7120300S	4	400mm	0.5-15m	3.5
072-201	703070S	303	324	354	69.8
072-203	705370S	536	558	588	1.8
072-204	706570S	652	675	705	2.4
072-205	707570S	769	791	821	69.8
072-206	710070S	1002	1024	1054	4.2
072-207	712370S	1235	1257	1287	69.8
072-208	714670S	1469	1490	1520	4.8
072-209	718070S	1818	1840	1870	69.8
072-201	703070S	303	324	354	69.8
072-203	705370S	536	558	588	1.8
072-204	706570S	652	675	705	2.4
072-205	707570S	769	791	821	69.8
072-206	710070S	1002	1024	1054	4.2
072-207	712370S	1235	1257	1287	69.8
072-208	714670S	1469	1490	1520	4.8
072-209	718070S	1818	1840	1870	69.8