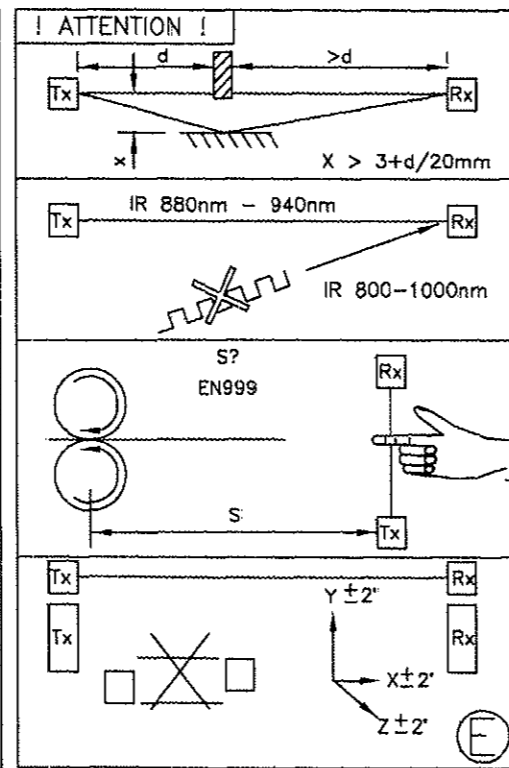
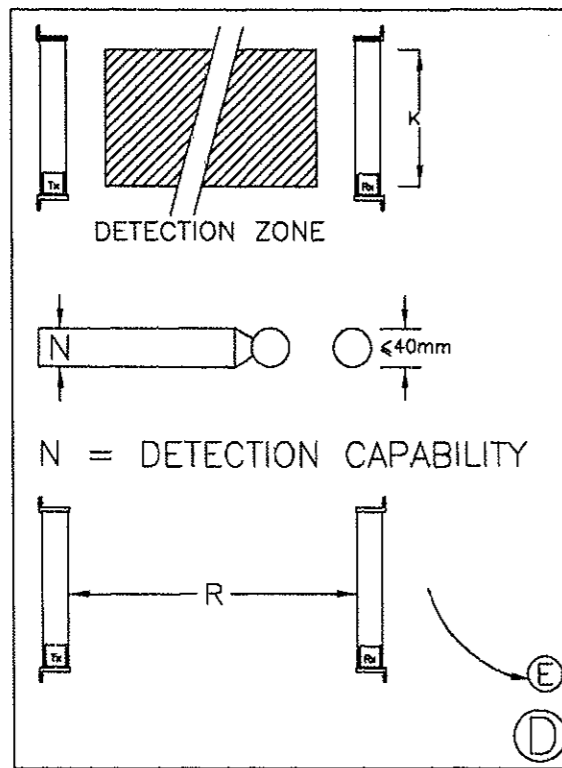
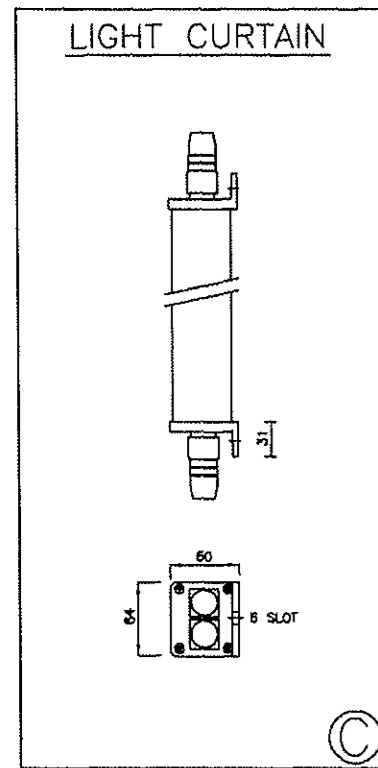
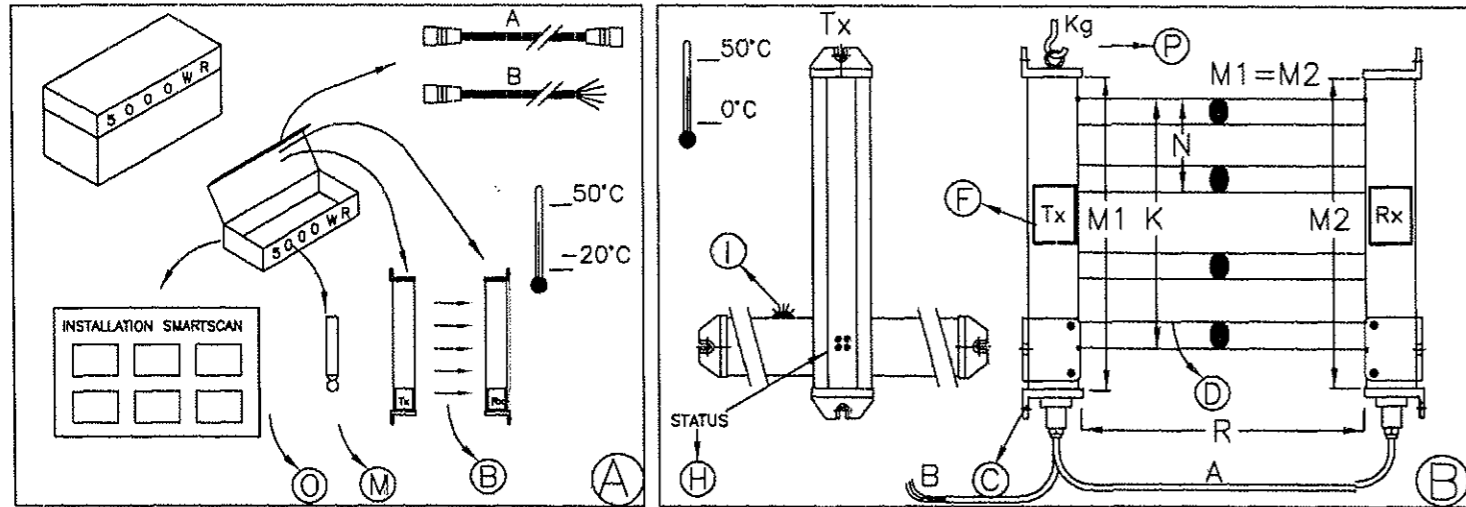


INSTALLATION 5000 WR L/T SAFETY LIGHT CURTAIN

CD081/130607



SMARTSCAN 5000

Model: ---
S.N.: ---
Yr.: 1999
N: ---
R: ---
T: ---
IP: ---
24V = 0.5A

Smartscan Ltd.
Corby,
NN17 5XJ, UK
Tel +44(0)1538 401313
Fax +44(0)1538 268954

CE

Email: Sales@smartscan.co.uk

TRANSMITTER

A B

SMARTSCAN 5000

Model: ---
S.N.: ---
Yr.: 1999
N: ---
R: ---
T: ---
IP: ---
24V = 0.5A

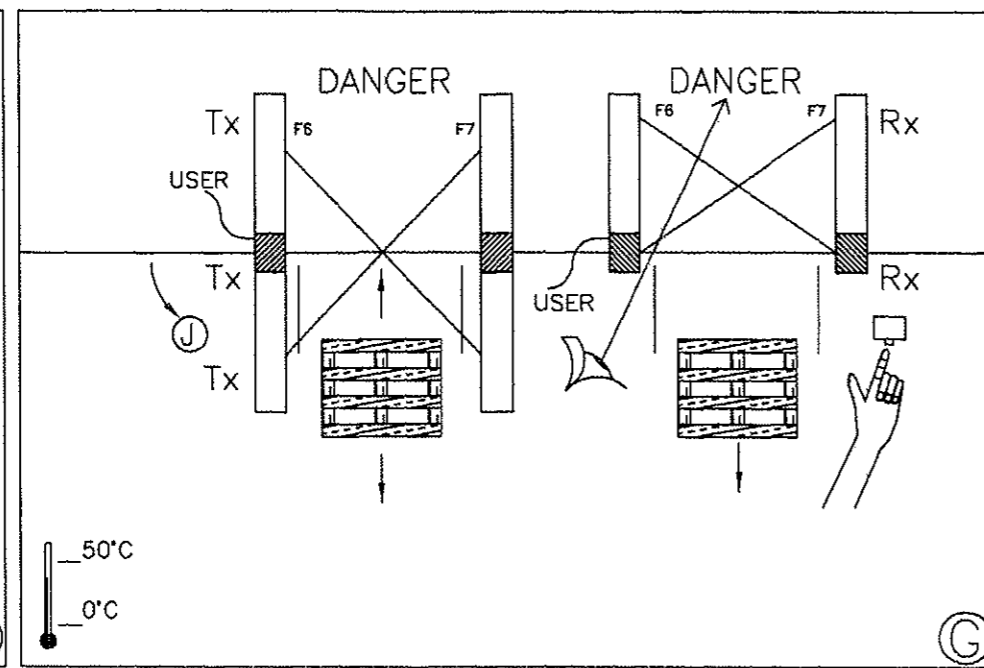
Smartscan Ltd.
Corby,
NN17 5XJ, UK
Tel +44(0)1538 401313
Fax +44(0)1538 268954

CE

Email: Sales@smartscan.co.uk

RECEIVER

A B



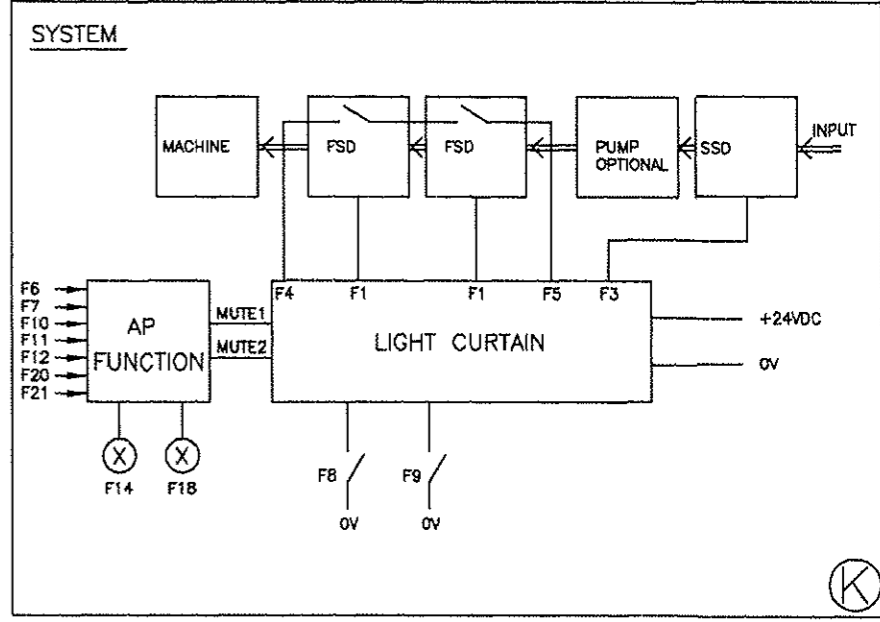
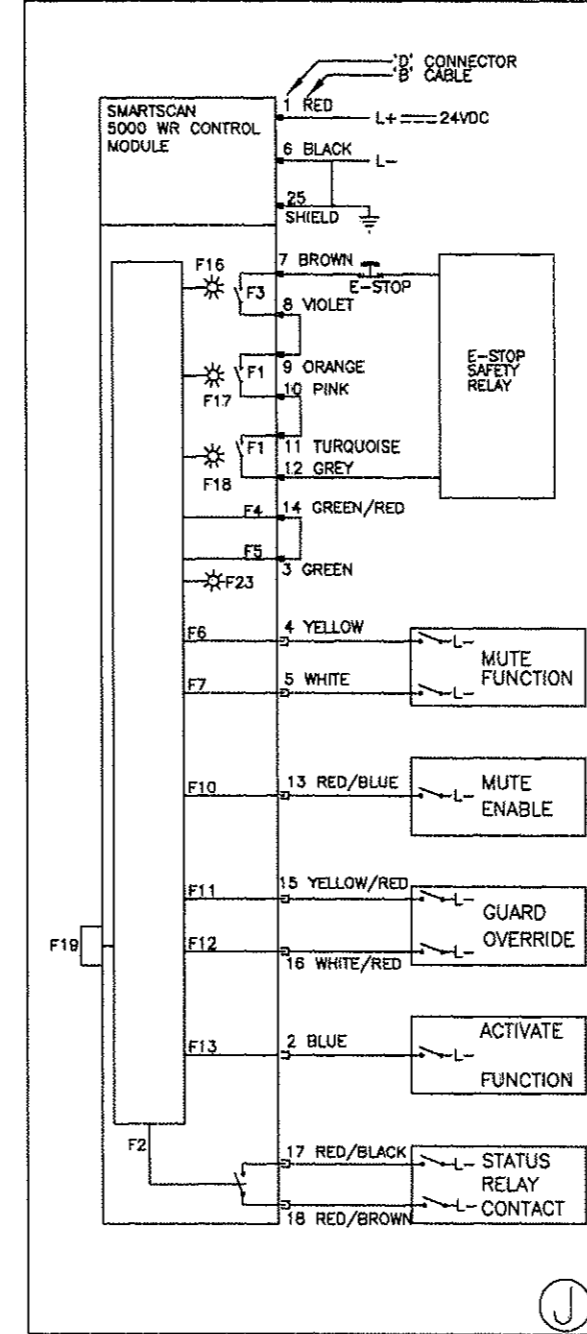
FEATURE	ON	OFF	RATING	
F1	CLOSE	OPEN	0.5A	* SAFETY RELAY CONTACT
F2	CLOSE	OPEN	100mA	** AUX. RELAY CONTACT
F3	CLOSE	OPEN	0.5A	** HEALTHY CONTACT
F4	OPEN	0V	F5	MONITORING OUTPUT
F5	0V	+24V	10mA	MONITORING INOUT
F6	0V	+24V	10mA	MUTE 1
F7	0V	+24V	10mA	MUTE 2
F10	0V	+24V	10mA	MUTE ENABLE
F11	0V	+24V	10mA	VERRIDE 1
F12	0V	+24V	10mA	VERRIDE 2
F13	0V	+24V	10mA	ACTIVATE
F14	0V	+24V	MUTE	INDICATOR
F15	AMBER		BLINK	SELF-TEST
F16	AMBER		F3	STATUS
F17	GREEN		F1	STATUS
F18	GREEN		F1	STATUS
F19	BLUE		CONDITION	INDICATOR
F20	RED		BEAM	DIAGNOSTIC
F23	RED		MUTE	STATUS

* ELESTA SGR 2827 ** BT 47W/7

CABLE

MODEL	ORD.CODE	TYPE	L(m)
SAR00500802	031-004	A	2m
SAR00801504	031-055	A	4m
SAR01502505	031-108	A	6m
SAR02504510	031-161	A	10m
SAR04507518	031-219	A	18m
SAR07511525	031-271	A	25m
SAR11515035	031-307	A	35m
5BR02	031-352	B	2m
5BR05	031-358	B	5m

CONDITION INDICATOR



OPERATION

START-UP

OFF

ON F15

ACTIVATE 0V-F13

OK F1 F3 F16 F17 F18

RESTART INTERLOCK

OK F1 F3 F16 F17 F18

BLOCK LIGHT CURTAIN F3 F16

REMOVE BLOCK F3 F16

F13 ACTIVATE F1 F3 F16 F17 F18

AUTO RESTART

F13 OK F1 F3 F16 F17 F18

BLOCK LIGHT CURTAIN F13 F3 F16

REMOVE BLOCK F1 F3 F16 F17 F18

USER MUTING

F13 OK F1 F3 F16 F17 F18

MUTE ON 0V-F6/F7/F10 F23 F1 F2 F3 F16 F17 F18 F19

BLOCK LIGHT CURTAIN F6 F7 F10 F23 F1 F2 F3 F16 F17 F18 F19

REMOVE BLOCK F6 F7 F10 F23 F1 F2 F3 F16 F17 F18 F19

MUTE OFF F1 F3 F16 F17 F18

OVERRIDE

OK F1 F3 F16 F17 F18

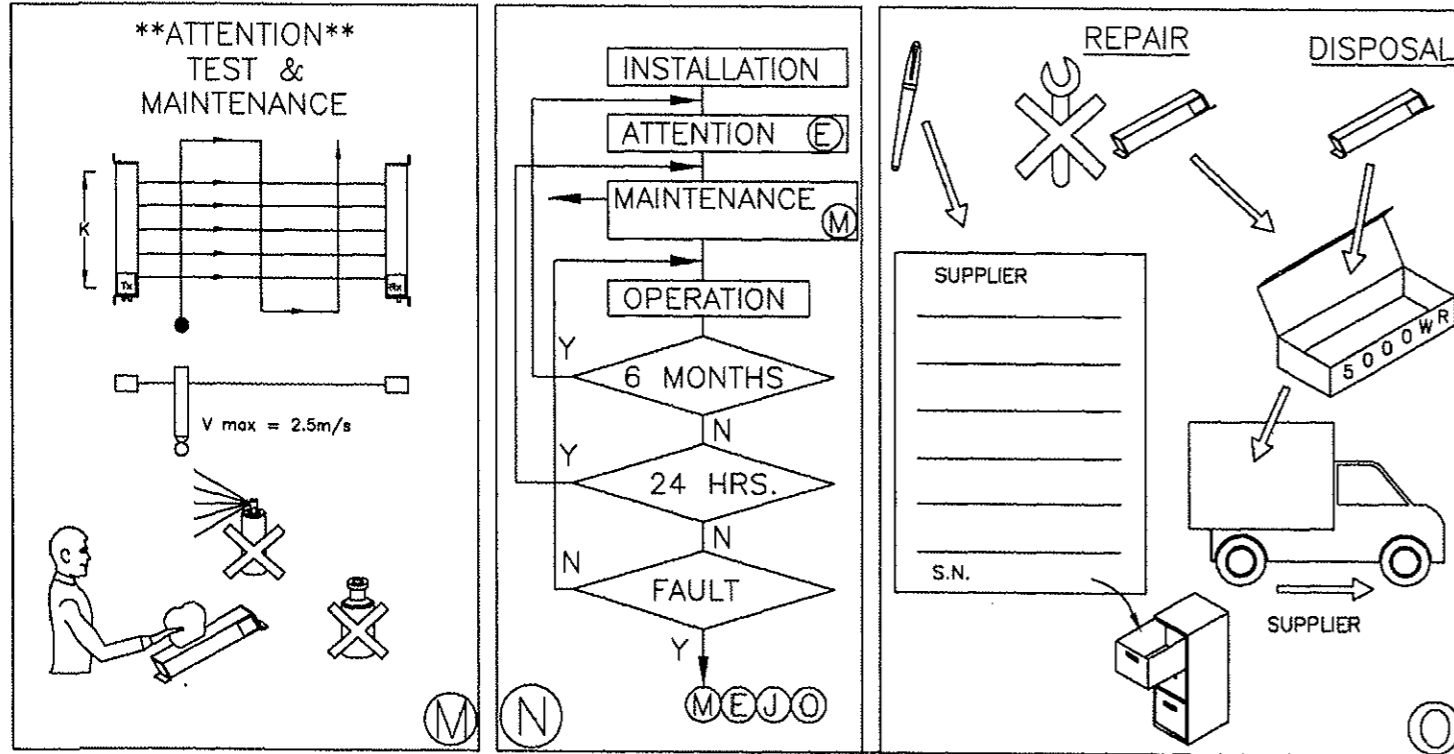
BLOCKED LIGHT CURTAIN F3 F16

OVERRIDE ON (MAX. 25 SECONDS) F11 F12 F16 F17 F18 F19

BLOCK REMOVED F3 F16

0V-F13 ACTIVATE F1 F3 F16 F17 F18

INSTALLATION 5000WR L/T SAFETY LIGHT CURTAIN



MODEL	K mm	N mm	R m	Ml mm	Kg
5502WRT1	488	501.4	1.0-2.2	540	8
5502WRT1R	488	501.4	1.0-2.2	540	8
5502WRT2	488	501.4	1.0-2.2	540	8
5502WRT2R	488	501.4	1.0-2.2	540	8
5502WRL1	488	501.4	1.0-2.2	540	7
5502WRL1R	488	501.4	1.0-2.2	540	7
5502WRL2	488	501.4	1.0-2.2	540	7
5502WRL2R	488	501.4	1.0-2.2	540	7

5903WRT1	867.4	440.4	1.0-2.2	915	9
5903WRT1R	867.4	440.4	1.0-2.2	915	9
5903WRT2	867.4	440.4	1.0-2.2	915	9
5903WRT2R	867.4	440.4	1.0-2.2	915	9
5903WRL1	867.4	440.4	1.0-2.2	915	9
5903WRL1R	867.4	440.4	1.0-2.2	915	9
5903WRL2	867.4	440.4	1.0-2.2	915	9
5903WRL2R	867.4	440.4	1.0-2.2	915	9

5914WRT1R	806.4	74.4	1.0-2.2	915	9
5914WRT2R	806.4	74.4	1.0-2.2	915	9
5914WRL1R	806.4	74.4	1.0-2.2	915	9
5914WRL2R	806.4	74.4	1.0-2.2	915	9

51204WRT1	1202.9	409.9	1.0-2.2	1220	12
51204WRT1R	1202.9	409.9	1.0-2.2	1220	12
51204WRT2	1202.9	409.9	1.0-2.2	1220	12
51204WRT2R	1202.9	409.9	1.0-2.2	1220	12
51204WRL1	1202.9	409.9	1.0-2.2	1220	11
51204WRL1R	1202.9	409.9	1.0-2.2	1220	11
51204WRL2	1202.9	409.9	1.0-2.2	1220	11
51204WRL2R	1202.9	409.9	1.0-2.2	1220	11

EC DECLARATION OF CONFORMITY

Smartscan 5000 Safety Control System

Smartscan Ltd. Pywell Rd. Corby, Northants. NN17 5XJ

declares that the safety component(s) described:

5-\$\$\$WR#
* length 540mm to 1220mm

\$\$\$ denotes the number of beams
Note: Not all lengths are available in all ODC combinations (see P)
Serial Numbers: Between 10 000 and 80 000
denotes the guard type e.g. T1, T1R, T2 or T2R

fulfill the following safety function: Electro-sensitive protective equipment - active opto-electronic protective device (safety light curtain).

conforms to the following Directives:
98/37/EEC, 89/336/EEC, 92/31/EEC, 73/23/EEC.

uses the following standards:
EN292-1, EN292-2, EN60204-1, EN61496-1, IEC61496-2, BS6491 pt 1/2.

complies with the examples to which the EC type examination certificate below relates, and is in conformity with the protection requirements of Council Directive 89/336/EEC, as amended, on the approximation of the laws of the Member States relating to electromagnetic compatibility, based on the technical construction file route to compliance in accordance with Article 10(2) of the EMC Directive.

Competent Body (name/address): Celestico, Westfields House, West Avenue, Kidsgrove, Stoke-on-Trent, ST7 1TL, UK
Certificate / Report No: CC/KID/002/99

The component is of a type listed in Annex IV of the Machinery Directive. Examples have been submitted for type examination by the approved body identified below:

AMTRI VERITAS LIMITED Machinery Notified Body Number 0463
Address: Hulley Road, Macclesfield, Cheshire, SK10 2NE, UK
Certificate No: AV EC 1896

CE Marking has been applied to this safety component under the terms of Directives 89/336/EEC, 92/31/EEC and 93/68/EEC.

Signature: A. Davis Date: 13/6/07

GLOSSARY

ENGLISH	FRANCAIS	DEUTSCHE	ITALIANO	ESPAÑOL	SVENSKA
AMBER	AMBRE	BERNSTEIN	AMBRA	AMBAR	BÄRNSTEN
ATTENTION	ATTENTION	ACHTUNG	ATTENZIONE	ATENCIÓN	UPPMÄRKSAMHET
BLACK	NOIR	SCHWARTZ	NERO	NEGRO	SVART
BLINK	CLIGNOTE	BLINKT	CAMPEGGIO	PARPADEO	BLINKA
BLOCK	INTERROMPE	UNTERBRECHEN	OSTOZIONE	BLOQUE	AVBRYTA
BLUE	BLEU	BLAU	BLU	AZUR	BLÅ
BROWN	MARRON	BRAUN	MARRONE	MORENO	BRUN
CLEAR	CLAIR	-	CHIARO	CLARO	INTE AUBRYTA
CLOSE	FERME	SCHLEISSEN	CHIUSO	CERCA	NÄRA
CONDITION	CONDITION	ZUSTAND	CONDIZIONE	CONDICION	BETINGELSE
CONNECTOR	CONNECTEUR	VERBINDER	CONNETTORE	CONECTOR	ÖFFNETAKT
CONTACT	CONTACT	KONTAKT	CONTATTO	CONTACTO	KONTAKT
CONTROL	CONTROLE	STEUERN	CONTROLLO	CONTROLAN	KONTROLL
DANGER	DANGER	GEFAHR	PERICOLO	PELIGRO	FARA
DETECTION ZONE	ZONE DE DETECTION	ABFRAGUNGSZONE	ZONO DE RILEVAZIONE	ZONA DE DETECCION	SKYDDSFALT
DETECTION CAPABILITY	CAPACITE DE DETECTION	ABFRAGUNGSFAHIGKEIT	POSSIBILITA DE RILEVAZIONE	CAPACIDAD DE LA DETECCION	UPPLÖSNING
DIAGNOSTIC	DIAGNOSE	DIAGNOSE	DIAGNOSTICO	DIAGNOSTICO	DIGNOSTISK
DISPOSAL	DISPOSITION	BESEITUNG	SMALTIMENTO	DISPOSICION	SLANG
E-STOP	ARRET URGENCE	NOTSTOP	STOP DI EMERGENZA	E-STOP	E-STOP
FAULT	DEFAUT	STORUNG	GUASTO	INCIDENTE	FEL
FEATURE	DISPOSITIF	EIGENSCHAFT	CARATTERISTICA	CARACTERISTICA	EGENSKAPER
FLOATING BLANKING	FLOATING BLANKING	FLOATING BLANKING	FLOATING BLANKING	FLOATING BLANKING	FLOATING BLANKING
FUNCTION	FONCTION	FUNKTION	FUNZIONE	FUNCION	FUNKTION
GLOSSARY	GLOSSAIRE	GLOSSAR	GLOSSARIO	GLOSARIO	ORDLISTA
GREEN	VERTE	GRÜN	VERDE	VERDE	GRÖN
GREY	GRIS	GRAU	GRIGIO	GRIS	GRÅ
HEADS	TÊTES	KOPFS	TESTE	CABEZAS	UNITS
HEALTHY	SANTE	GESUND	SALUTARE	SANO	SUND
INDICATOR	INDICATEUR	ANZEIGE	INDICATORE	INDICADOR	INDIKERING
INPUT	DONNEES	EINGABE	INGRESSO	ENTRADA DE INFORMACION	INGÅNG
INSTALLATION	INSTALLATION	INSTALLATION	INSTALLAZIONE	INSTALACION	INSTALLATION
INTERLOCK	INTERLOCK	INTERLOCK	INTERLOCK	INTERLOCK	INTERLOCK
LIGHT CURTAIN	BARRIERE	LICHTSCHRANKEN	BARRIERE	BAMMER DE SEGURIDAD	LJUS BARRIERE
MACHINE	MACHINE	MASCHINE	MACCHINA	MAQUINA	MASKIN
MAINTENANCE	ENTRETIEN	WARTUNG	MANUTENZIONE	MANTENIMIENTO	UNDERHÅLL
MAX	MAXIMUM	MAXIMUM	MASSIMO	MAXIMO	MAX
MODE	MODE	MODUS	MODO	MODO	MODE
MODEL	MODELE	TYP	MODELLO	MODELO	MODELL
MODULE	MODULE	MODUL	MODULO	MODULO	MODUL
MONITORING	SURVEILLANT	ÜBERWACHUNG	SORVEGLIANZA	EL VIGILAR	ÖVERVAKNING
MONTHS	MOIS	MONATE	MESI	MESES	MANADER
MUTE	MUET	STUMMER	INIBIZIONE	MUDO	FORBIKOPPLING
OPEN	OUVERT	OFFEN	APERTO	ABIERTO	ÖPPEN
OPERATION	EXECUTION	OPERATION	FUNZIONAMENTO	OPERACION	OPERATION
OPTIONAL	OPTION	BELIEBIG	OPZIONALE	OPCIONAL	VALFRÄ
ORANGE	ORANGE	ORANGE	ARANCIO	NARANJA	-
OVERRIDE	OVERRIDE	OVERRIDE	INVALIDARE	OVERRIDE	OVERRIDE
OUTPUT	SORTIE	AUSGABE	USCITA	DALIDA	UTGÅNG
PINK	ROSE	ROSA	ROSA	ROSADA	LJUSRÅDA
PUMP	POMPE	PUMPE	POMPA	BOMBA	PUMPA
RECEIVER	RECEPTEUR	EMPFANGER	RICEVITORE	RECEPTOR	MOTTAGARE
RATING	ESTIMATION	LEISTUNG	VALUTAZIONE	GRADO	VARDE
RELAY	RELAIS	RELAIS	RELE'	RELAIS	RELA
RED	ROUGE	ROTES	ROSSO	ROJO	RÖD
RELATED	CONNEXE	IN VERBINDUNG STEHEND	RELATIVO	RELACIONADO	RELATERA
REMOVE	ENLEVER	ENTFERMEN	RIMUOVERE	REMOVER	FLYTTA
REPAIR	REPARANT	REPARATUR	RIPARAZIONE	REPARAN	REPARATION
SAFETY	SURETE	SICHERHEIT	SIGUREZZA	SEGURIDAD	SAKERHET
SELF-TEST	AUTOMATISCHE	AUTO PROFUNG	AUTO-TEST	SELF PRUEBA	SJÄLV PROV
SHIELD	TERRE	ERDFABEN	SCHERMO	ESCUDO	SCOLD
STATUS	STATUT	RAND	STATO	ESTADO	STATUS
SUPPLIER	FOURNISSEUR	LIEFERANT	FORNITURE	SURDITOR	LEVERANTOR
SWITCH	INTERRUPTEUR	SCHALTER	INTERRUTTORE	INTERRUPTOR	ANDRA
SYSTEM	SYSTEME	SYSTEM	SISTEMA	SISTEMA	SYSTEM
TABLE	TABLE	LISTE	TABELLA	VECTOR	TABELL
TEST	ESSAI	PROFUNG	PROVA	PRUEBA	PROV
TRANSMITTER	EMETTEUR	ÜBERSENDER	TRASMETTITORE	TRANSMISOR	SÄNDARE
TURQUOISE	TURQUOISE	TURKIS	TURCHESE	TURQUESA	TURQUOISE
VIOLET	VIOLET	VIOLETT	VIOLA	VIOLETA	VIOLETT