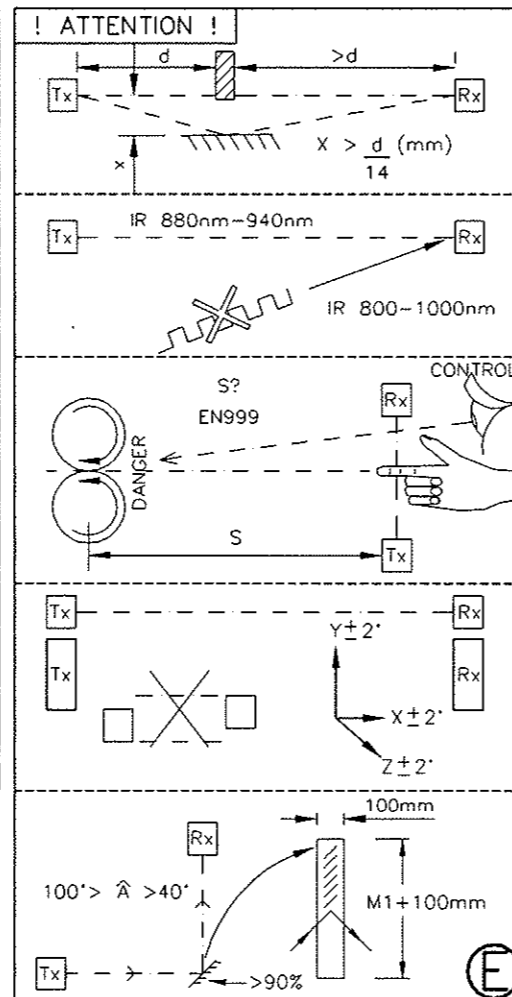
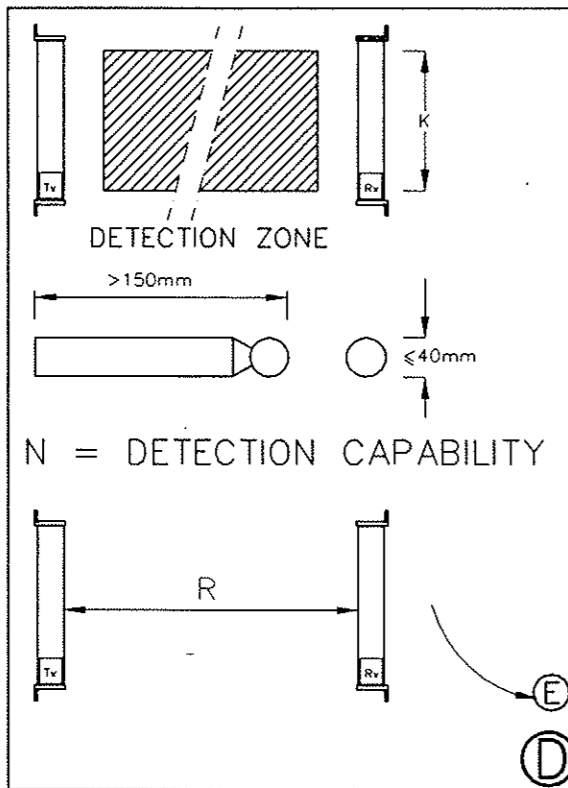
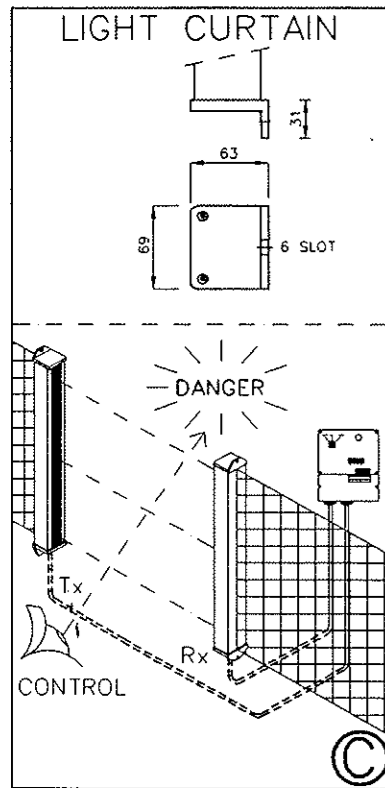
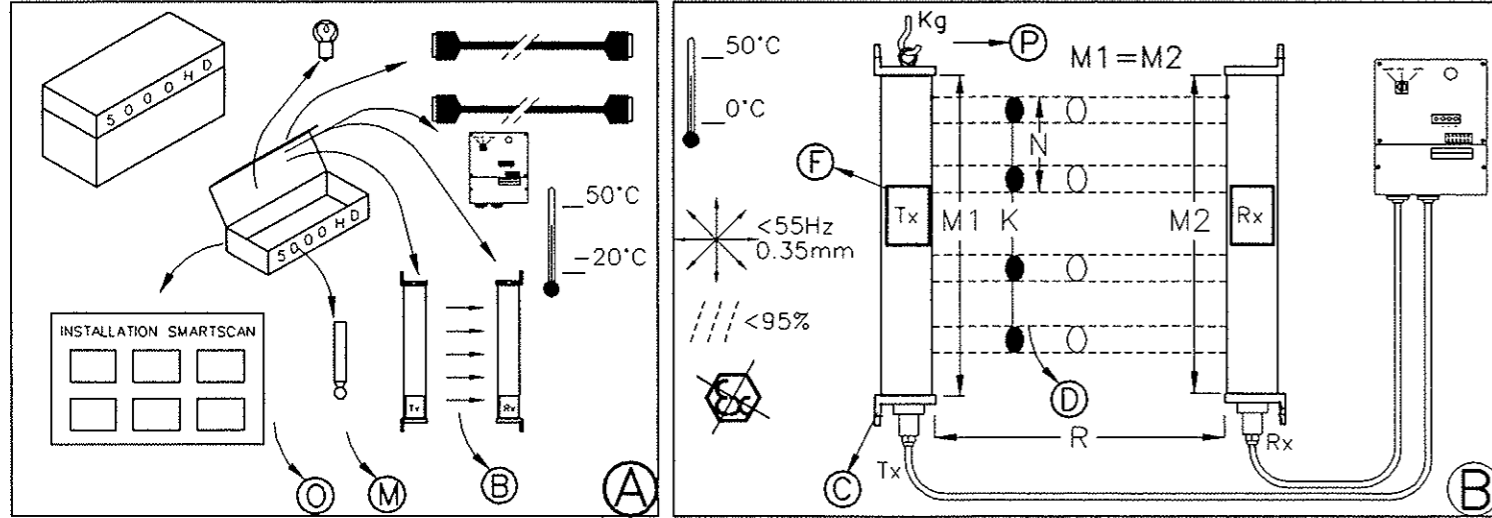


INSTALLATION 5000HD STRAIGHT SAFETY LIGHT CURTAIN

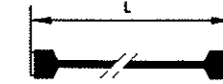
02-1999 017-502A



| FEATURE TABLE | | OFF | RATING | |
|---------------|-------|-----------|------------|------------------------|
| F1 | CLOSE | OPEN | 1A 110V | * SAFETY RELAY CONTACT |
| F2 | CLOSE | OPEN | 100mA 30V | ** AUX. RELAY CONTACT |
| F3 | CLOSE | OPEN | 1A 110V | * HEALTHY CONTACT |
| F4 | OPEN | 0V | F5 | MONITORING OUTPUT |
| F5 | 0V | +24V | 10mA | MONITORING INOUT |
| F6 | 0V | +24V | 10mA | MUTE 1 |
| F7 | 0V | +24V | 10mA | MUTE 2 |
| F10 | 0V | +24V | 10mA | MUTE ENABLE |
| F11 | 0V | +24V | 10mA | VERRIDE 1 |
| F12 | 0V | +24V | 10mA | VERRIDE 2 |
| F13 | 0V | +24V | 10mA | RESET |
| F14 | 0V | +24V | MUTE | INDICATOR |
| F15 | AMBER | BLINK | F3 | SELF-TEST |
| F16 | AMBER | F3 | F1 | STATUS |
| F17 | GREEN | F1 | F1 | STATUS |
| F18 | GREEN | F1 | F1 | STATUS |
| F19 | BLUE | CONDITION | INDICATOR | STATUS |
| F20 | RED | BEAM | DIAGNOSTIC | STATUS |
| F23 | RED | MUTE | MUTE | STATUS |

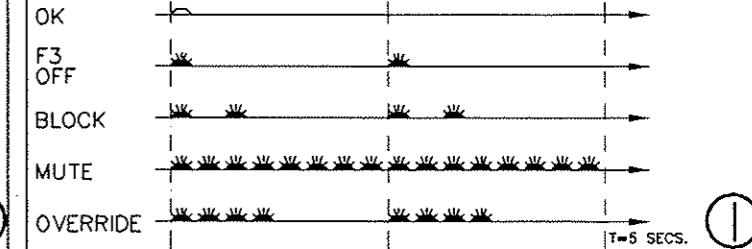
* ELESTA SGR 2827 ** BT 47W/7

CABLES

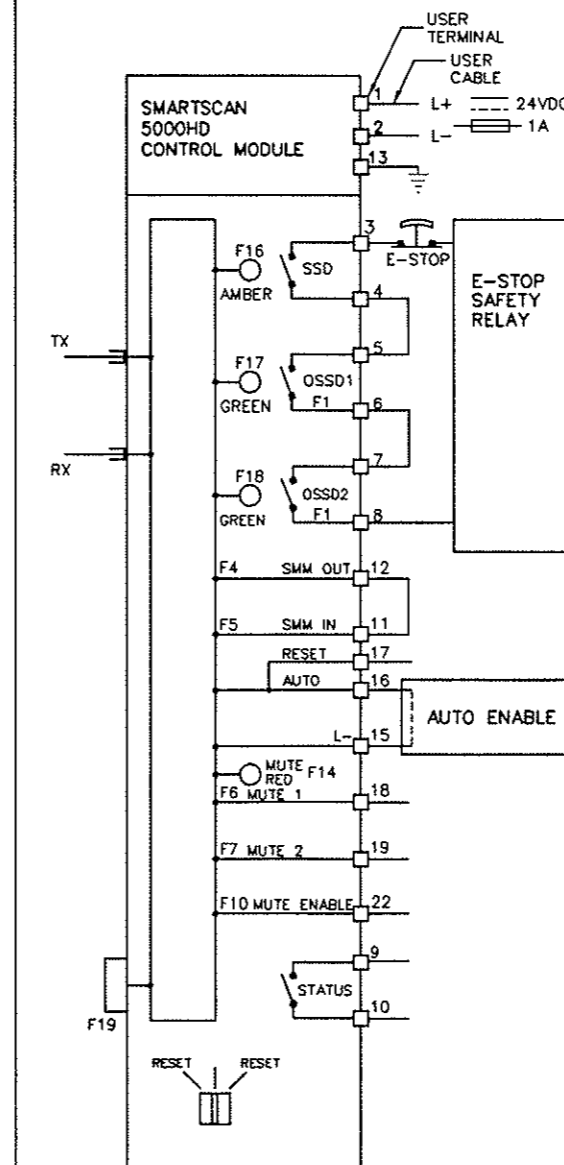


| MODEL | L(m) |
|-------|------|
| SH02 | 2m |
| SH04 | 4m |
| SH06 | 6m |
| SH10 | 10m |
| SH18 | 18m |
| SH25 | 25m |
| SH35 | 35m |

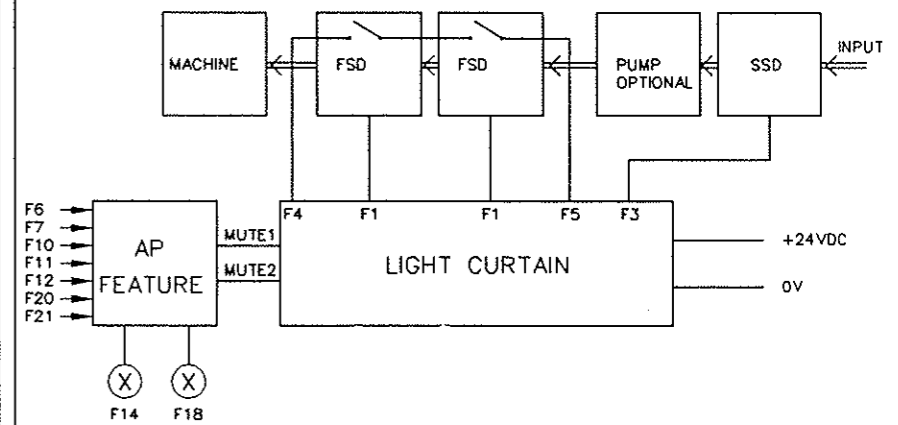
CONDITION INDICATOR



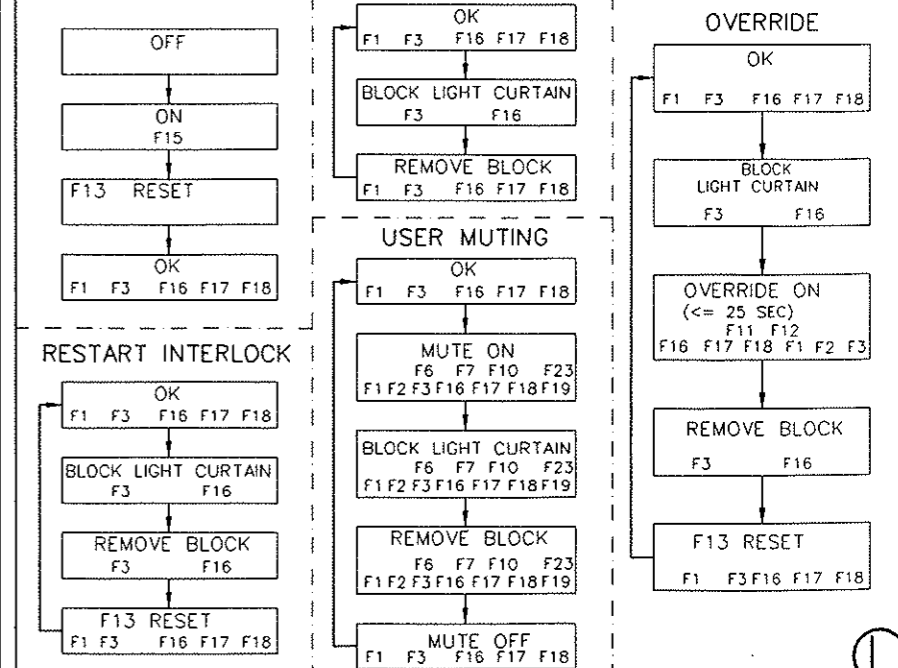
* AUTHORISED PERSON *



SYSTEM



OPERATION



SMARTSCAN 5000

Model: 5000
S.N.: 1999
Yr.: 1999
N: 1999
R: 1999
T: 20msec
IP: IP65
24V --- 0.5A

Smartscan Ltd.
Corby, NN17 5XJ, UK.
Tel +44(0)1536 401313
Fax +44(0)1536 268954

Email: Sales@smartscan.co.uk

SMARTSCAN 5000

Model: 5000
S.N.: 1999
Yr.: 1999
N: 1999
R: 1999
T: 20msec
IP: IP65
24V --- 0.5A

Smartscan Ltd.
Corby, NN17 5XJ, UK.
Tel +44(0)1536 401313
Fax +44(0)1536 268954

Email: Sales@smartscan.co.uk