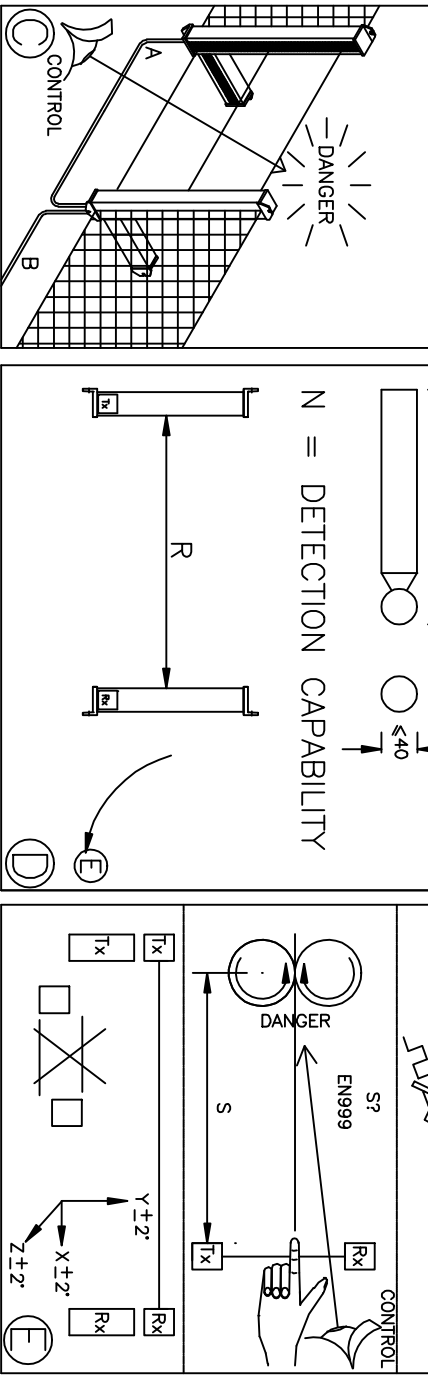
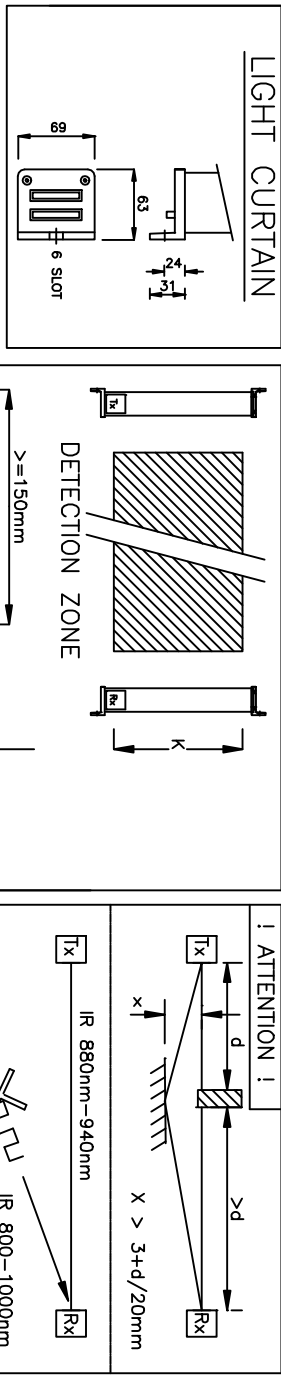
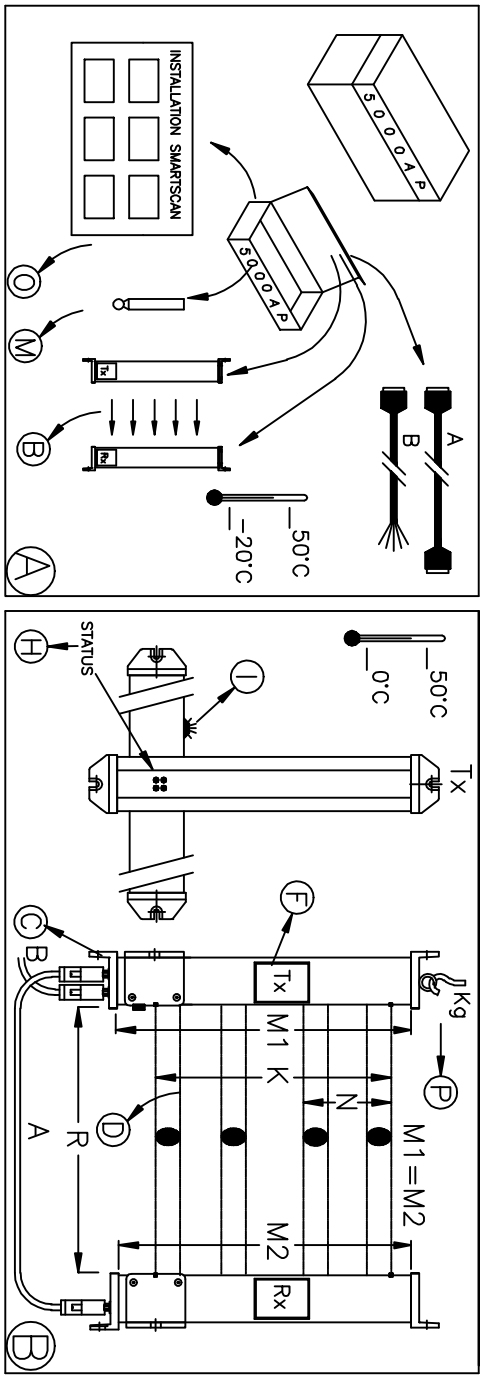


INSTALLATION 5000AP L/T SAFETY LIGHT CURTAIN

CD082/130607 **SMARTSCAN**



SMARTSCAN 5000

Yr. S.N. 1999
N R
IP 24V = 0.5A
IP 54

Smartscan Ltd.
Corby, SVU, UK
NN17 5UJ, UK
Tel: +44(0)1536 268954
Fax: +44(0)1536 268954

CE

2006/42/EC
EN 60950-1
EN 60950-2-2

TRANSMITTER

A B

SMARTSCAN 5000

Yr. S.N. 1999
N R
IP 24V = 0.5A
IP 54

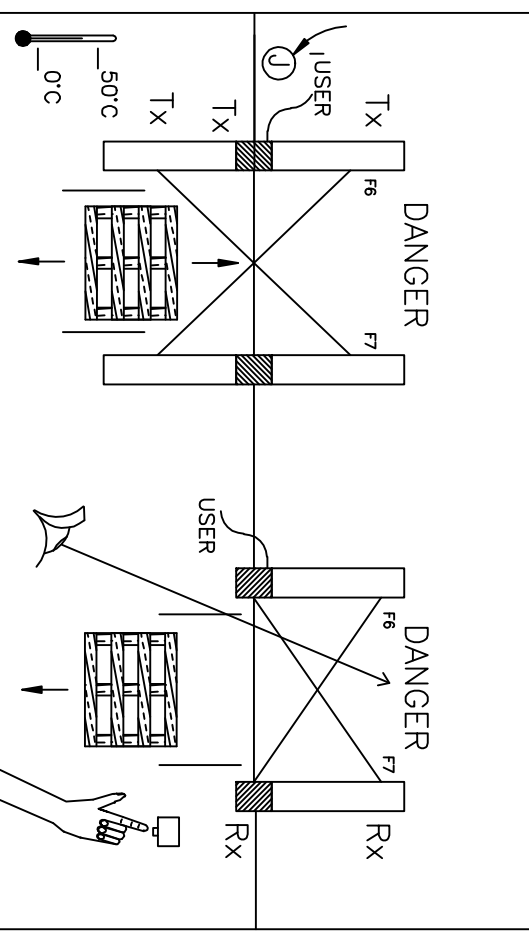
Smartscan Ltd.
Corby, SVU, UK
NN17 5UJ, UK
Tel: +44(0)1536 268954
Fax: +44(0)1536 268954

CE

2006/42/EC
EN 60950-1
EN 60950-2-2

RECEIVER

A



FEATURE	ON	OFF	RATING
F1	CLOSE	OPEN	0.5A
F2	CLOSE	OPEN	100mA
F3	CLOSE	OPEN	0.5A
F4	OPEN	OV	F5
F5	OV	+24V	10mA
F6	OV	+24V	10mA
F7	OV	+24V	10mA
F8	OV	+24V	10mA
F9	OV	+24V	10mA
F10	OV	+24V	10mA
F11	OV	+24V	10mA
F12	OV	+24V	10mA
F13	OV	+24V	10mA
F14	OV	+24V	10mA
F15	OV	+24V	10mA
F16	AMBER	AMBER	10mA
F17	GREEN	GREEN	10mA
F18	BLUE	BLUE	10mA
F19	RED	RED	10mA
F20	RED	RED	10mA
F23	RED	RED	10mA

MODEL	TYPE	L (m)
5A00500802	A	2m
5A00801504	A	4m
5A02504210	A	6m
5A04504210	A	8m
5A04907518	A	18m
5A07511525	A	25m
5A11515035	A	35m
5B02	B	2m
5B05	B	5m

* ELESTA SGR 2827 ** BT 47W/7

