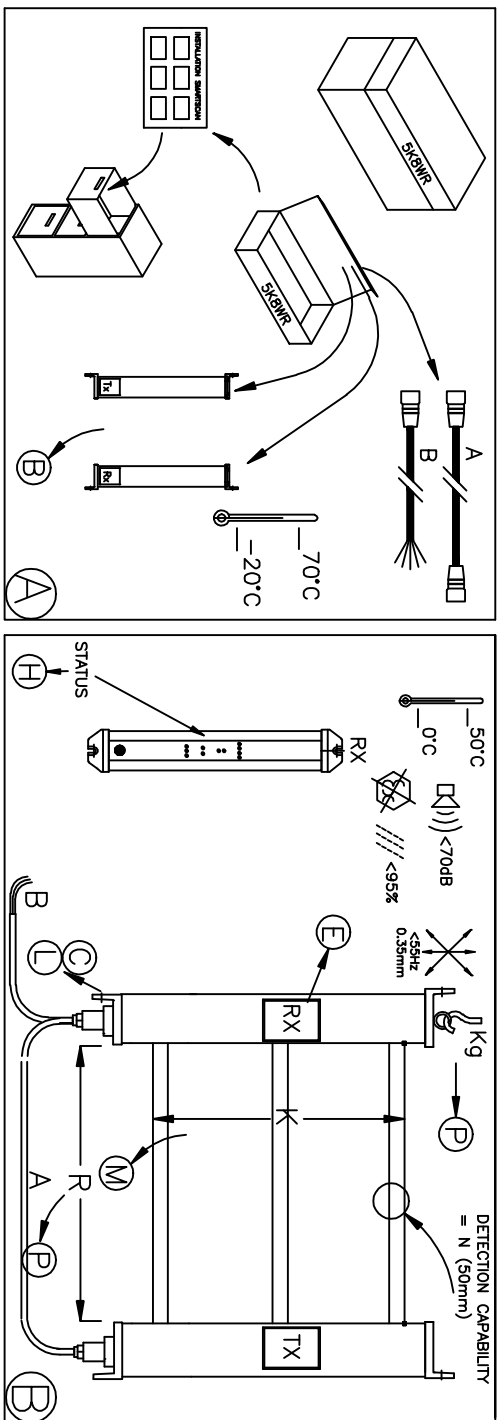
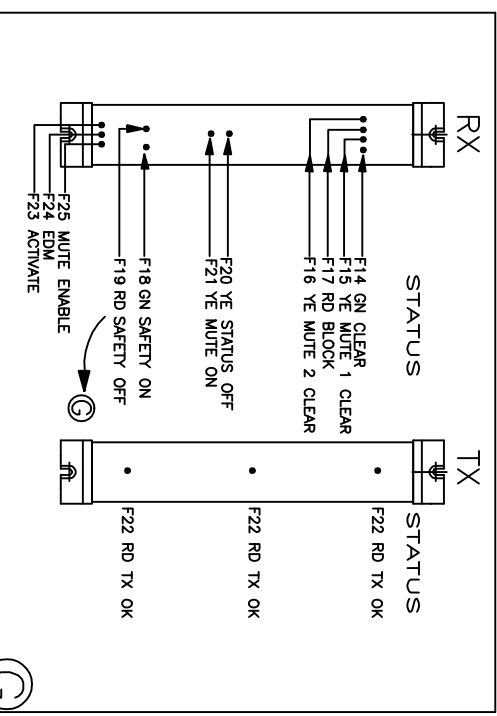


INSTALLATION 5K8WR SAFETY LIGHT CURTAIN

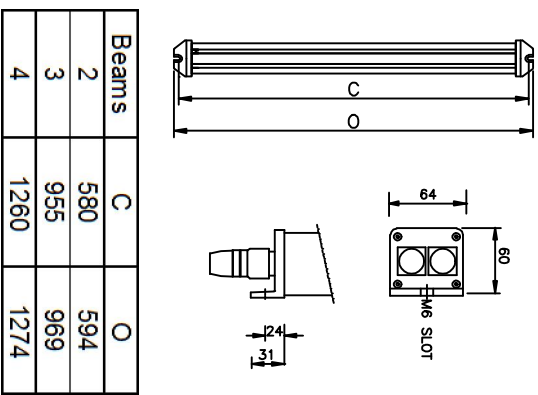


FEATURE	ON	OFF	RATING	*SAFETY OUTPUTS
F1	CLOSE	OPEN 11.0V/2A		**STATUS OUTPUT
F2	CLOSE	OPEN 11.0V/1A		**STATUS OUTPUT
F3		10mA		MONITORING INPUT
F4		10mA		MONITORING INPUT
F5		10mA		MUTE 1
F6		10mA		MUTE 2
F7		10mA		MUTE ENABLE
F8		10mA		OVER-RIDE
F9		10mA		ACTIVATE
F10		10mA		INDICATOR LIGHT CURTAIN CLEAR
F11	GREEN			INDICATOR MUTE 1 CLEAR
F12	YE LOW			INDICATOR MUTE 2 CLEAR
F13	RED			INDICATOR LIGHT CURTAIN BLOCKED
F14	RED			INDICATOR SAFETY ON
F15	GREEN			INDICATOR SAFETY OFF
F16	RED			INDICATOR STATUS RELAY/OFF
F17	YE LOW			INDICATOR MUTE OK
F18	RED			INDICATOR TRANSMITTER OK
F19	RED			INDICATOR ACTIVATE
F20	YE LOW			INDICATOR EDM
F21	RED			INDICATOR MUTE ENABLE
F22	RED			
F23	RED			
F24	RED			
F25	RED			

*ELESTA SGR 2827 **BT 47W/7

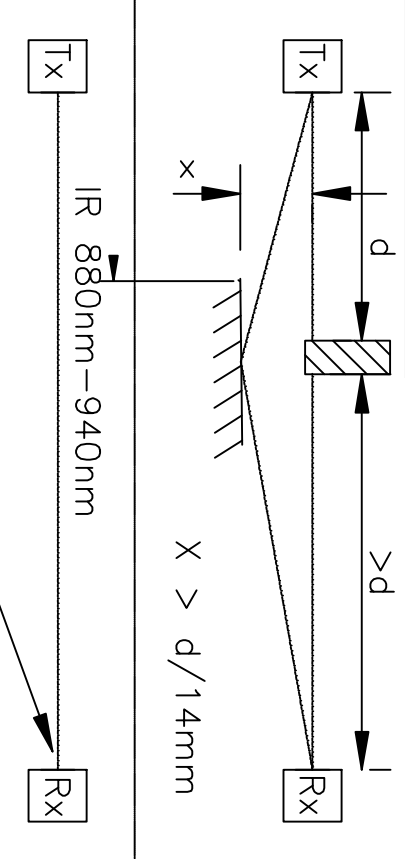


LIGHT CURTAIN

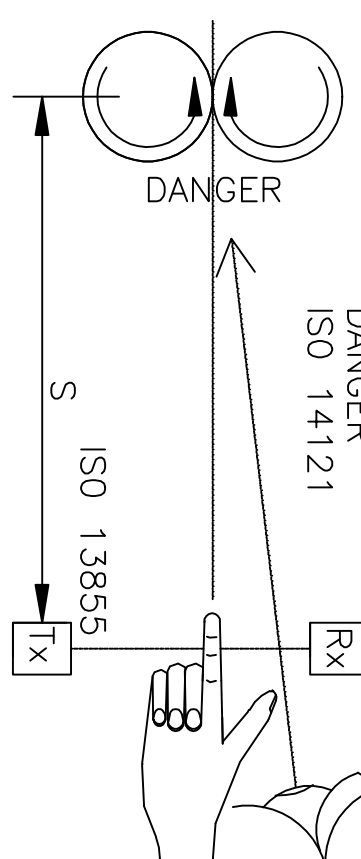


(C)

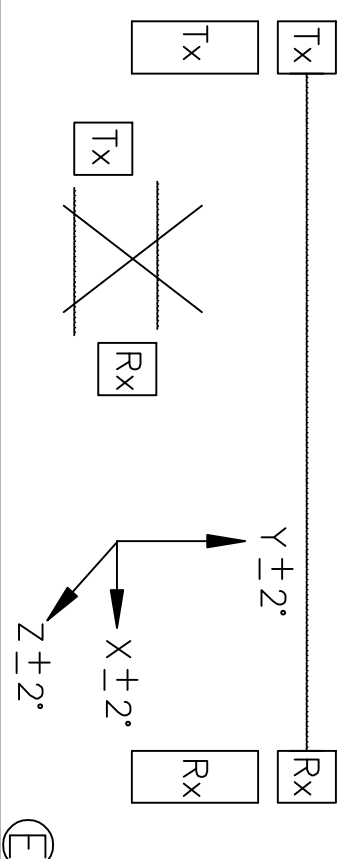
! ATTENTION !



DANGER ISO 14121

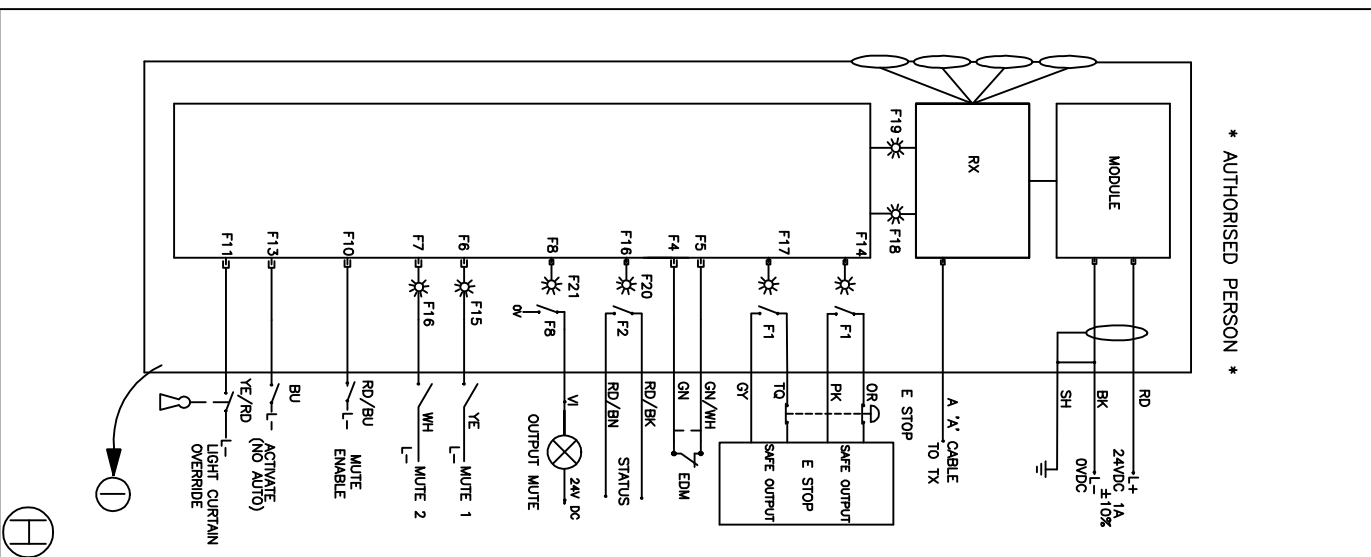


DANGER ISO 13855



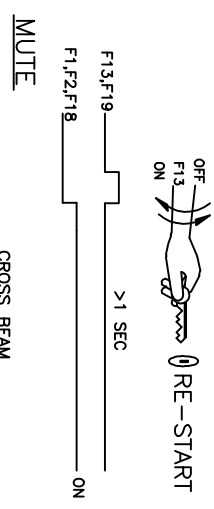
(D)

(E)



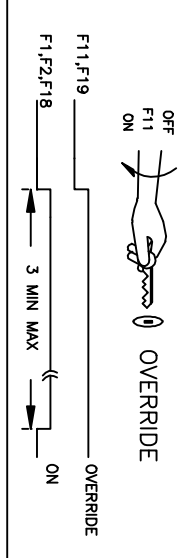
(H)

ACTIVATE

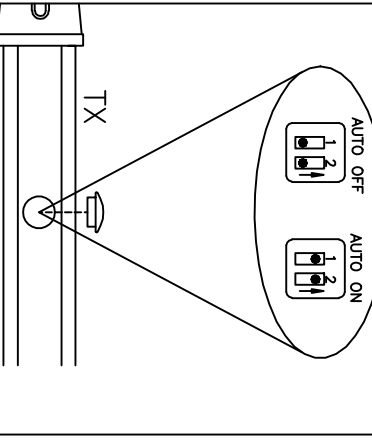


T1 = 2 SEC
T2 = INFINITE
T3 = 2 SEC
A = MUTE 1 (CROSS-BEAM 1)
B = MUTE 2 (CROSS-BEAM 2)
C = MUTE ENABLE
D = MUTE

LIGHT CURTAIN OVERRIDE



AUTO RESTART



(J)

(K)