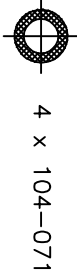
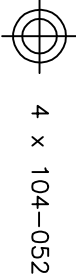
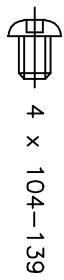
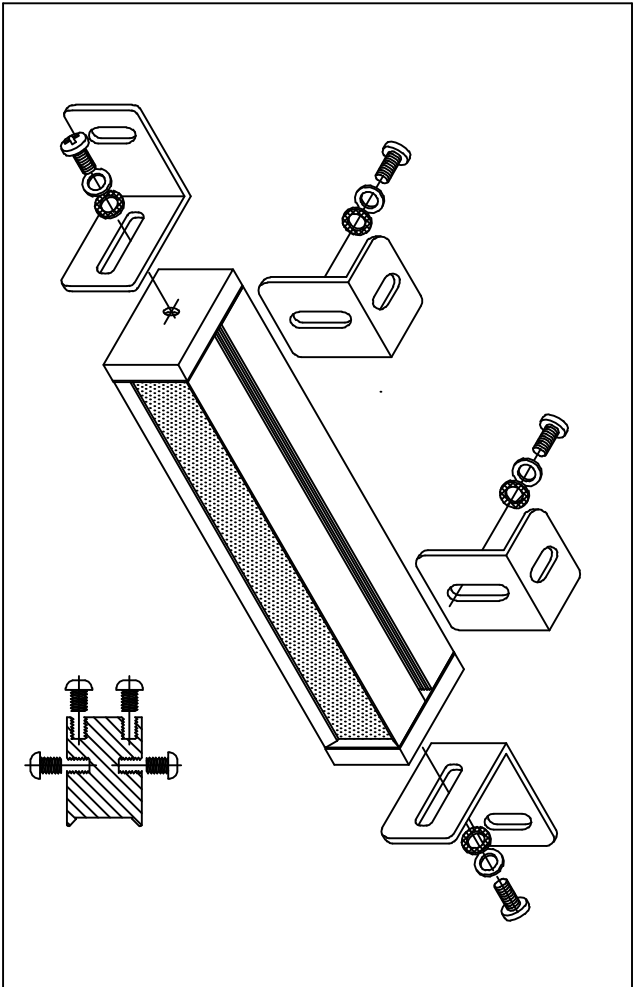
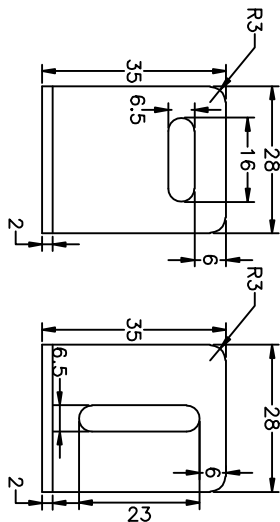


INSTALLATION

CD026/130608
1000 PLUS MOUNTING KIT



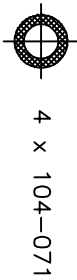
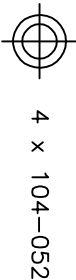
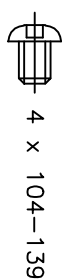
4 x 126-025



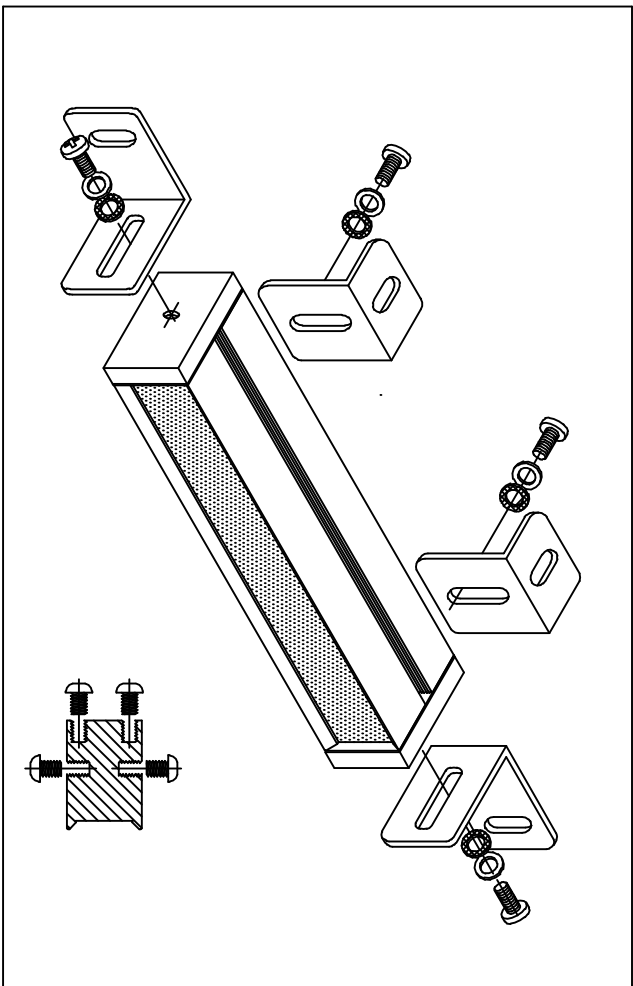
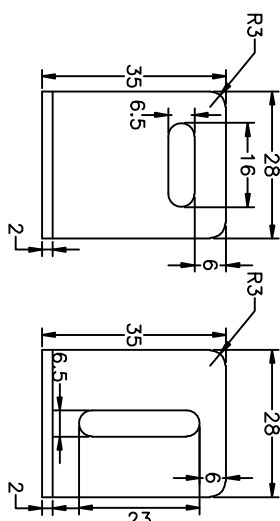
SMARTSCAN LIMITED. PYWELL ROAD, CORBY. NN17 5XJ.
Tel. +44(0) 1536 401313 Fax. +44(0) 1536 268954

INSTALLATION

CD026/130608
1000 PLUS MOUNTING KIT



4 x 126-025



SMARTSCAN LIMITED. PYWELL ROAD, CORBY. NN17 5XJ.
Tel. +44(0) 1536 401313 Fax. +44(0) 1536 268954