

# INSTALLATION & DECLARATION OF CONFORMITY

## T4 SAFETY LIGHT CURTAIN

### ORIGINAL INSTRUCTIONS

CD269/31012



### FLOATING BLANKING

BEAMS BLANKED 0DC (mm)			
0	1	2	3
14	24	33	43
30	55	80	105
40	63	88	113

**SMARTSCAN T4**

MODEL: 092-\*\*\*  
 SN: \*\*\*\*\*  
 R: K  
 N: K  
 K: K  
 P: 05  
 T: 20mins  
 V: 24V DC ± 10%  
 F: 0.5A

EN60941 Category 4  
 IEC61488 Type 4  
 EN60201 SIL 3  
 EN ISO 13849 PL e  
 YEAR: 2010

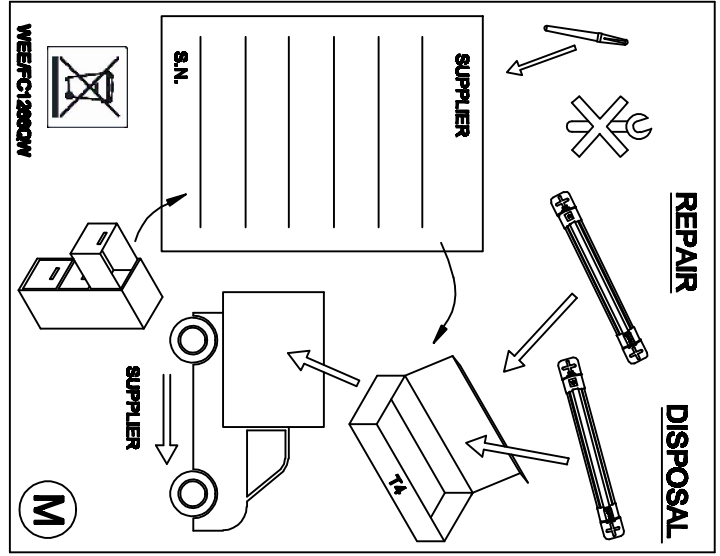
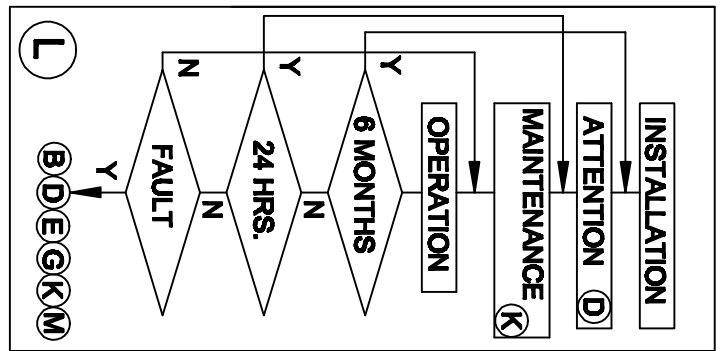
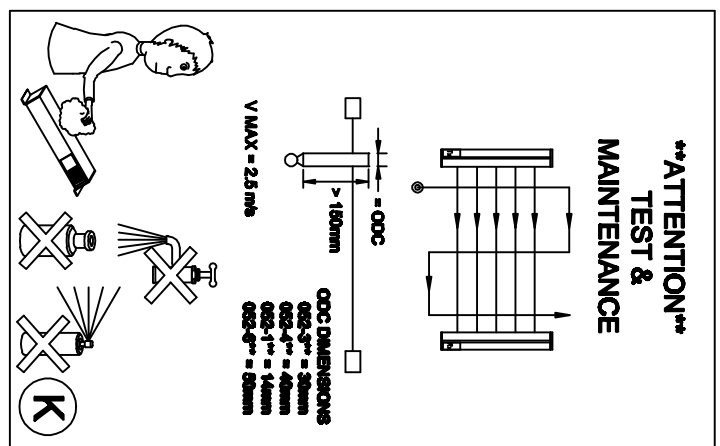
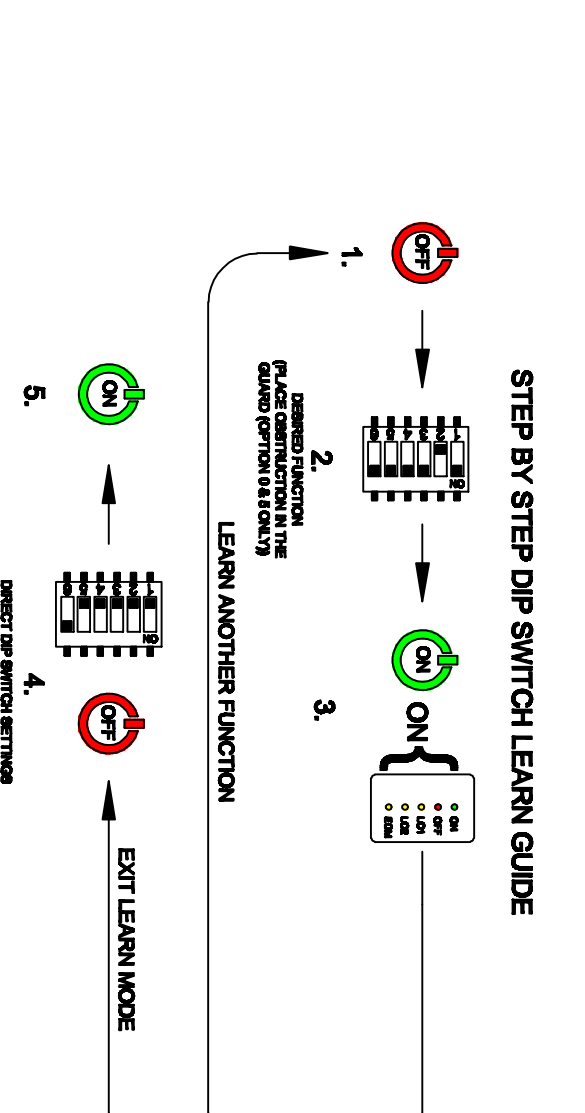
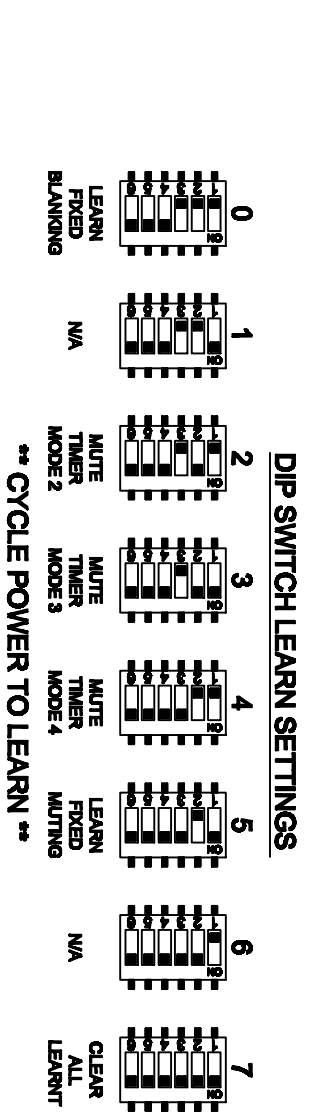
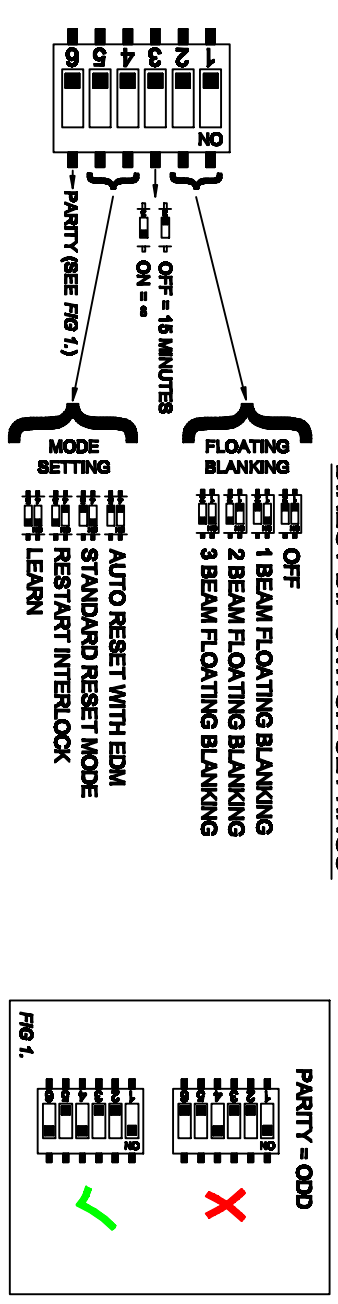
CE RX

**SMARTSCAN T4**

MODEL: 092-\*\*\*  
 SN: \*\*\*\*\*  
 R: K  
 N: K  
 K: K  
 P: 05  
 T: 20mins  
 V: 24V DC ± 10%  
 F: 0.5A

EN60941 Category 4  
 IEC61488 Type 4  
 EN60201 SIL 3  
 EN ISO 13849 PL e  
 YEAR: 2010

CE TX



### T4 SERIES MODEL LIST

Model 30mm ODC	Model 40mm ODC	Beams	0Z mm	L mm
092-301	092-401	0	141	317
092-302	092-402	12	291	467
092-303	092-403	18	441	617
092-304	092-404	24	591	767
092-305	092-405	30	741	917
092-306	092-406	36	891	1067
092-307	092-407	42	1041	1217
092-308	092-408	48	1191	1367
092-309	092-409	54	1341	1517
092-310	092-410	60	1491	1667
092-311	092-411	66	1641	1817
092-312	092-412	72	1791	1967
092-313	092-413	78	1941	2117
092-314	092-414	84	2091	2267
092-315	092-415	90	2241	2417
092-316	092-416	96	2391	2567

Model 14mm ODC	Beams	0Z mm	L mm	Range
092-101	16	141	317	0.5 - 6 m
092-102	32	291	467	0.5 - 6 m
092-103	48	441	617	0.5 - 6 m
092-104	64	591	767	0.5 - 6 m
092-105	80	741	917	0.5 - 6 m
092-106	96	891	1067	0.5 - 6 m
092-107	112	1041	1217	0.5 - 6 m
092-108	128	1191	1367	0.5 - 6 m

### EC Declaration of Conformity

CD2690/1005.10

Product: Smartscan T4 Light Curtain

Manufacturer: Smartscan Limited, Pywell Road, Willoughbrook Industrial Estate, Cotby, Northamptonshire, NN17 5XJ, ENGLAND

Declares that the safety component(s) described serial numbers between 800 0000 - 899 9999 and T4 0001 - T4 9999, fulfils the following safety function: Electro-sensitive protective equipment - Active Opto-electronic Protective Device (safety light curtain).

Conforms to the following Directives:  
 Machinery Directive 2006/42/EC  
 Electromagnetic Compatibility Directive 2004/108/EC  
 Low Voltage Directive 2006/95/EC

Complies with the relevant requirements of the following Standards:  
 EN 954-1: IEC 61496-2  
 EN 954-2: IEC 61496-2  
 IEC 62061  
 EN ISO 13849-1  
 PL e

Uses the following standards:  
 ISO 12100-1, ISO 12100-2, EN 60204-1

Notified Body Number: 1874

Address: Pywell Road, Cotby, Northamptonshire, NN17 5XJ, England

Certificate No: 572170909

Signed: Date: 10.05.2010

Title: Project Manager